



pelican systems

PVC H-Strips

Description

The H-strip, also known as an H-profile or jointing strip, is a pvc extrusion used to join or cover the edges of panels or boards. These strips are shaped like the letter "H", allowing them to fit snugly around the edges of the panels, creating a clean and seamless finish.

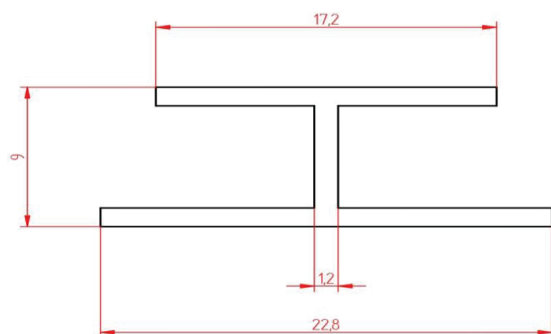


Thickness: 7mm

Width: 2700, 3000, 3600

	Specification	Actual
Packaging (As per customer requirement)	Packed in 50 lengths per bundle	Packed in 50 lengths per bundle
Raw materials (Polymer)	UPVC (Unplasticized Polyvinyl Chloride) Lead Free PVC Compound Extrusion Grade Colour: White	UPVC (Unplasticized Polyvinyl Chloride) Lead Free PVC Compound Extrusion Grade Colour: White
Polymer Specification & Properties	Relative Density: 1.40 Shore D Hardness: 75 Tensile Strength: 43 Mpa Elongation at break: 42% Impact Strength: 155 kJ/m ² Vicat Softening Point: 85 °C	As per TDS from Polymer Supplier

Profile illustration and Dimension



There are no added substances or any substances of concern.
This declaration of conformity is based on declarations provided by third parties.
This information is accurate to the best of their knowledge.