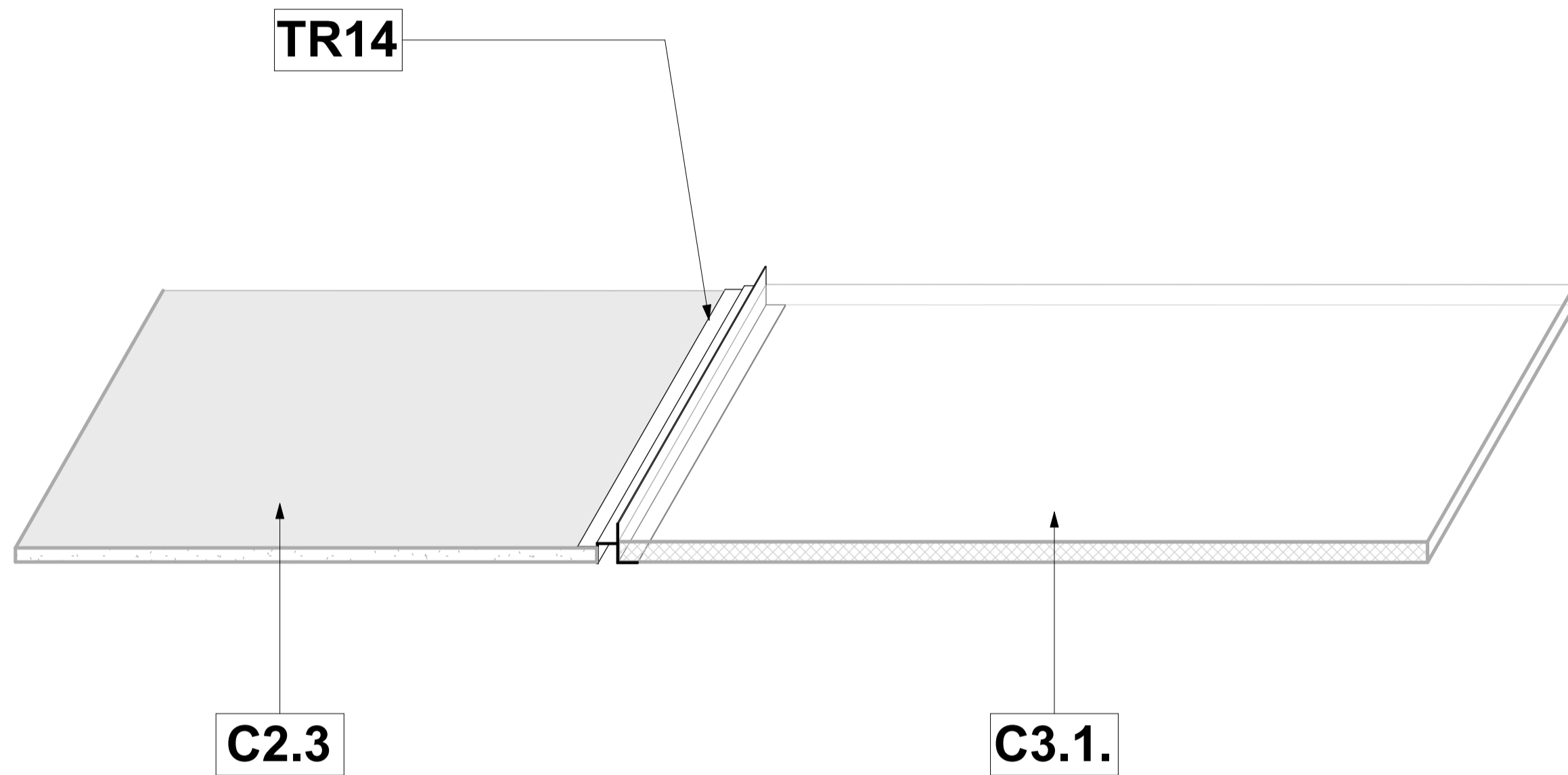


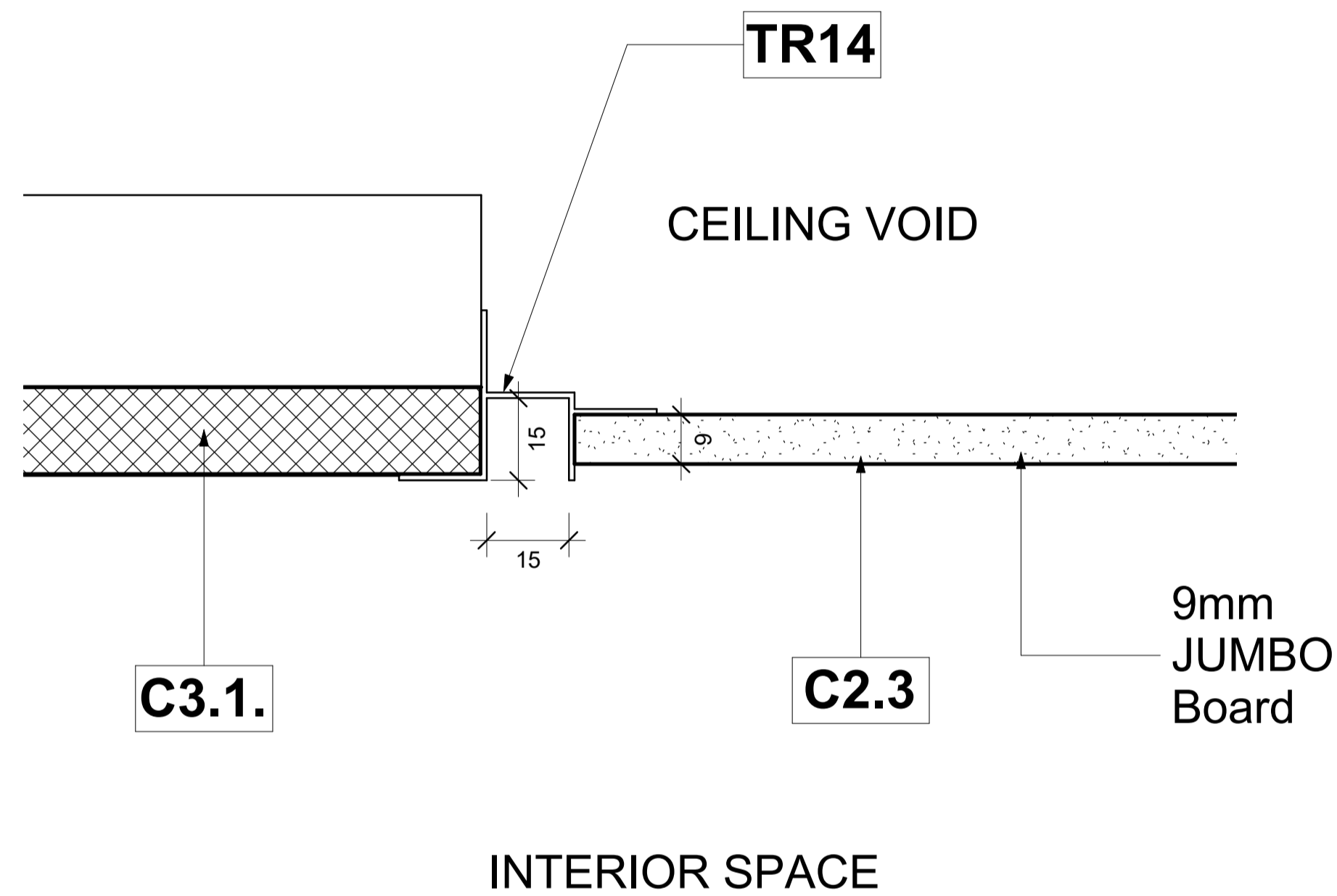
# Ceiling Trims - Plaster Ceiling Junction

Keynote Legend	
Key Value	Keynote Text
C2.3	Supply and install 3600mm JUMBO Main Tees at 1200mm centres in one direction and 1200mm JUMBO Cross Tees at 600mm centres perpendicular to Main Tees. Main Tees to be suspended at 1200mm centres by means of 25 x 25 x 0.6mm galvanised steel angle, hangers fixed to bulb of Main Tee with wafer tek screws/steel pop rivets and to slab with 6 x 30mm express nails and washers.
C3.1.	Supply and install Pelican Systems Vinyl or Pelican Systems Knauf Ceiling Solutions (KCS) ceiling tiles sizes (1200 x 600mm) or (600 x 600mm) x 9 / 12 / 15mm, laid onto Pelican Systems econogrid consisting of econogrid. Space econogrid Main Tees at 1200mm centres. Suspend Main Tees using 2.5mm thick pre-stretched Galvanised Hanger Wire or 19mm Hanger Strap at 1200mm centres. Galvanised Hanger Wire shall be put through the Main Tees hole and wound three times around itself. Two Steel Pop Rivets or one 13mm Wafer Tek Screw shall be used to fix the Hanger Strap to the Main Tees bulb
TR14	Supply and fit white epoxy coated aluminium Pelican Plaster Ceiling junction between exposed suspended ceiling and flush plastered ceiling. Suspend Plaster Ceiling Junction from slab at 1200mm centres with 25 x 25 x 0.6mm G.M.S angles.



TR14 - Plaster Ceiling Junction - 3D

Scale



TR14 - Plaster Ceiling Junction - Section

Scale 1 : 1

TR14 - Ceiling Trims - Plaster Ceiling Junction	
System	Ceiling Trims
Type of Product	Plaster Ceiling Junction
Recommended Areas	A ceiling profile designed to facilitate the transition between an exposed suspended ceiling and a flush plastered ceiling both on the same level
Technical Spec	Transition 15 x 15 x 12
Material	Aluminium
Picture	
Size and Thickness	4.0m
Colour Options	White
Building material information	N/A
Fire Protection	N/A
Sound absorption	N/A
Sound attenuation	N/A
Sound insulation	N/A
Practical sound absorption coefficient (α <sub>p</sub> )	
Light reflectance	N/A
Thermal conductivity	N/A
Air permeability	N/A
Humidity	N/A
Green Rating	N/A
Specifications	Supply and fit white epoxy coated aluminium Pelican Plaster Ceiling junction between exposed suspended ceiling and flush plastered ceiling. Suspend Plaster Ceiling Junction from slab at 1200mm centres with 25 x 25 x 0.6mm G.M.S angles.
Notes	



**pelican systems**  
ceiling and partitioning specialists...

Head Office / Durban Branch | 765 / 793 Chris Hani Road, Durban, Redhill | 031 563 7307

Find us online at [www.pelican.co.za](http://www.pelican.co.za) or any of these social media sites