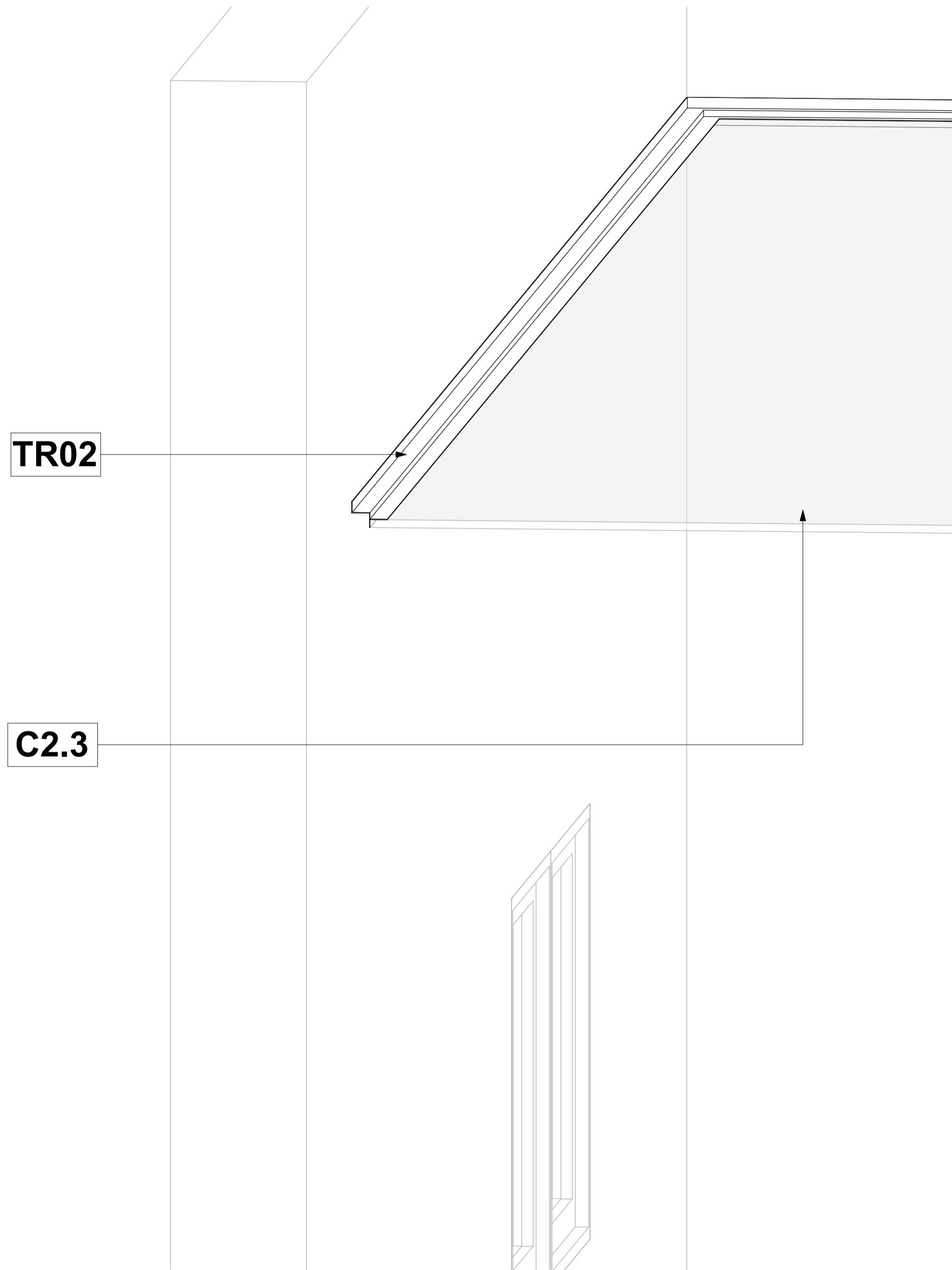
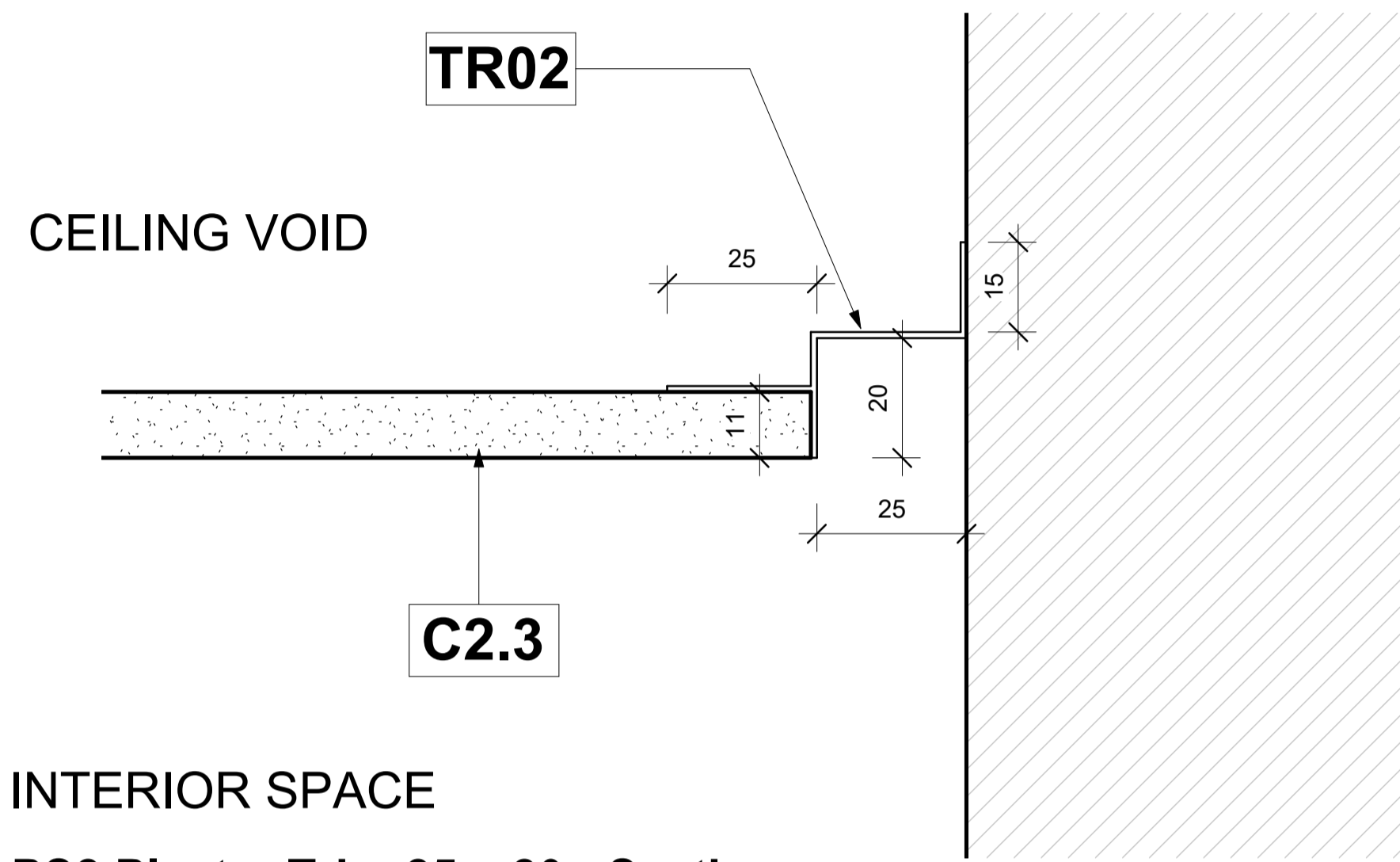


# Ceiling Trims - PS2 Plaster Trim 25 x 20

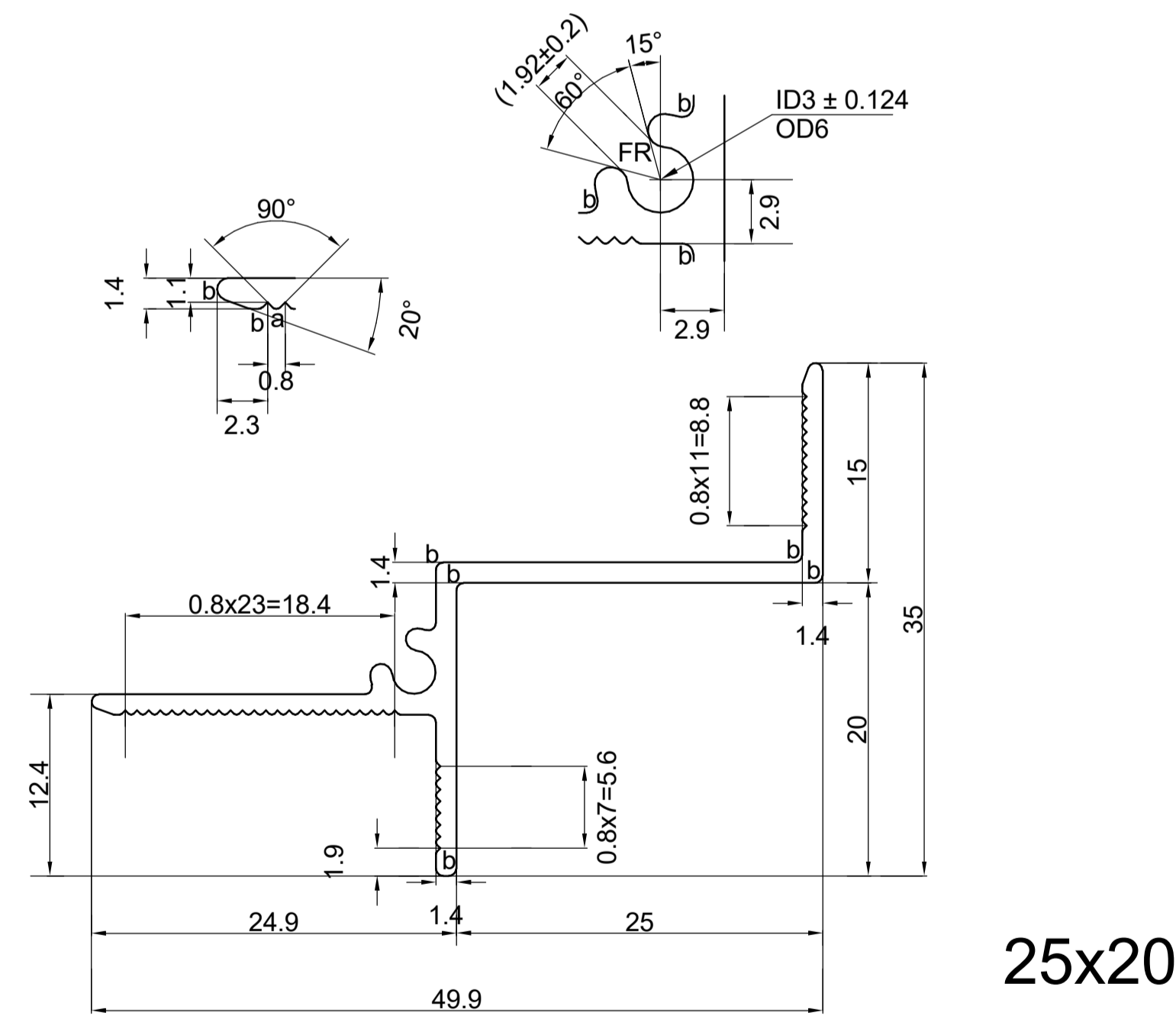


TR02 - PS2 Plaster Trim 25 x 20 - 3D  
Scale

Keynote Legend	
Key Value	Keynote Text
C2.3	Supply and install 3600mm JUMBO Main Tees at 1200mm centres in one direction and 1200mm JUMBO Cross Tees at 600mm centres perpendicular to Main Tees. Main Tees to be suspended at 1200mm centres by means of 25 x 25 x 0.6mm galvanised steel angle, hangers fixed to bulb of Main Tee with Wafer Tek screws/steel Pop Rivets and to slab with 6 x 30mm Express Nails and Washers.
TR02	PS2 Plaster Trim 25 x 20. Supply and install Pelican PS2 Shadowline pre-drilled & pre-painted aluminium white Shadowline Wall Trim to perimeter of rooms fixed at 450mm centres with wall anchors.



TR02 - PS2 Plaster Trim 25 x 20 - Section  
Scale 1 : 1



25x20

TR02 - PS2 Plaster Trim 25 x 20	
System	Ceiling Trims
Type of Product	PS2 Plaster Trim 25mm x 20mm
Recommended Areas	Ceiling Perimeter
Technical Spec	PS2 (25 x 20) Aluminium used with JUMBO Board
Material	Aluminium 6063-T5
Picture	
Size and Thickness	25mm x 20mm x 4000mm
Colour Options	Matt Traffic White - ANP39016
Building material information	N/A
Fire Protection	N/A
Sound absorption	N/A
Sound attenuation	N/A
Sound insulation	N/A
Light reflectance	N/A
Thermal conductivity	N/A
Air permeability	N/A
Humidity	N/A
Green Rating	N/A
Specifications	PS2 Plaster Trim 25 x 20. Supply and install Pelican PS2 Shadowline pre-drilled & pre-painted aluminium white Shadowline Wall Trim to perimeter of rooms fixed at 450mm centres with wall anchors.
Notes	<ul style="list-style-type: none"> <li>Pre-drilled @ 450mm centres.</li> </ul>



**pelican systems**  
ceiling and partitioning specialists...

Head Office / Durban Branch | 765 / 793 Chris Hani Road, Durban, Redhill | 031 563 7307

Find us online at [www.pelican.co.za](http://www.pelican.co.za) or any of these social media sites