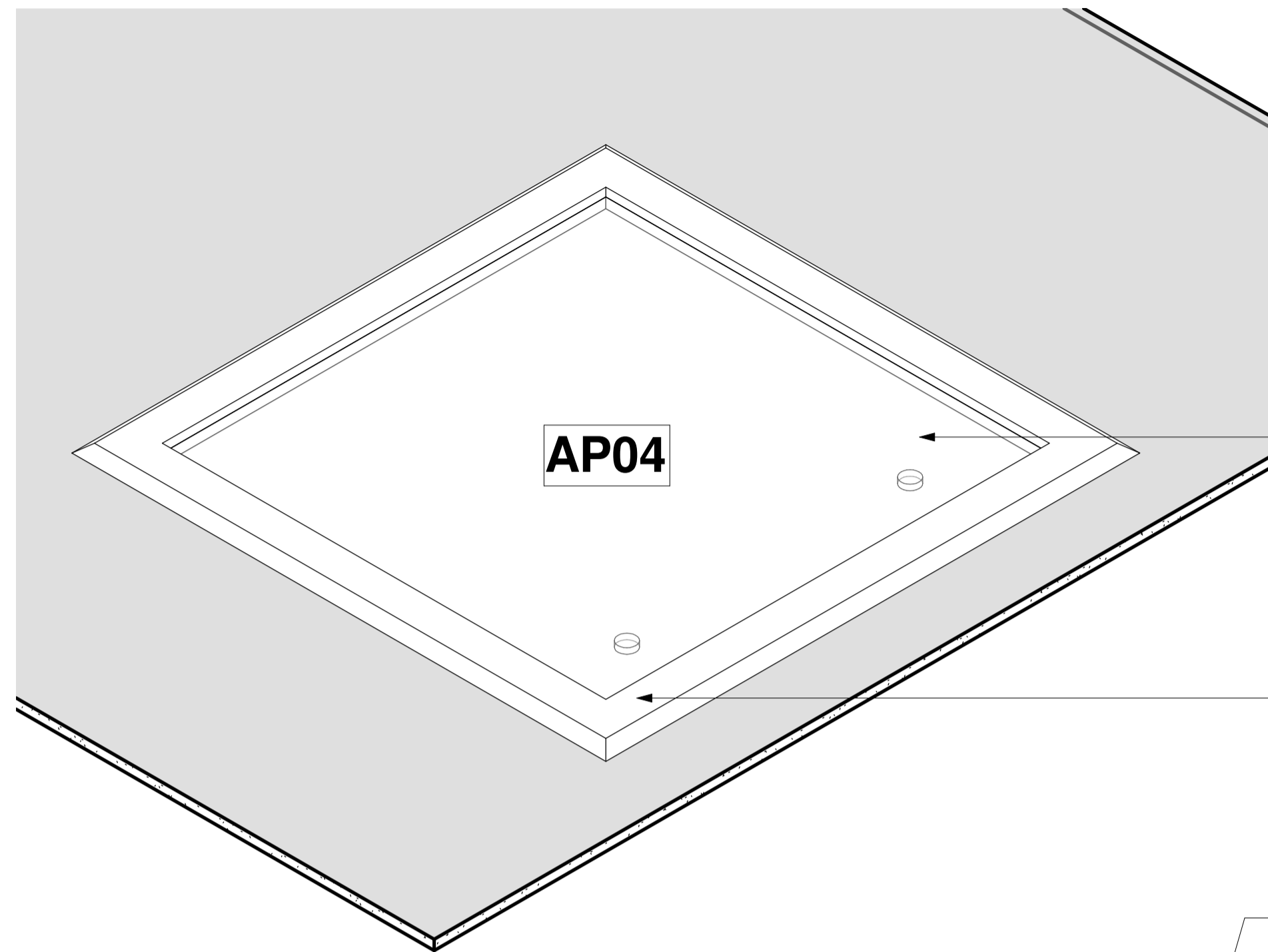


Access Panel Flushline Outer Frame



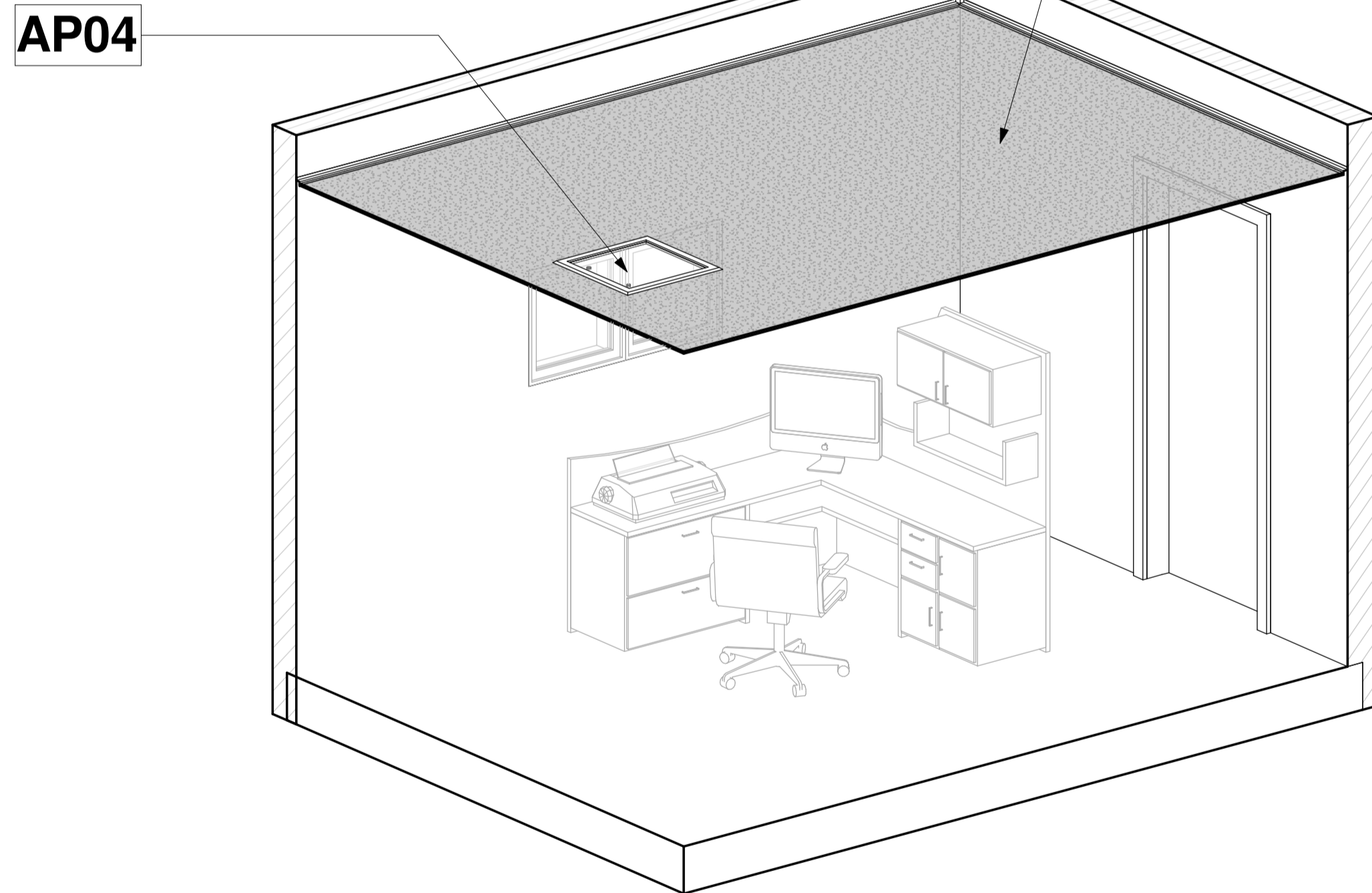
Primed white bottom hinged fitted flush to ceiling with and including screw fixing through stalk of Access Panel into JUMBO Grid.

Matt white powder coated aluminium Access Panel 580 x 580mm.

C2.3

Access Panel Flushline Outer Frame

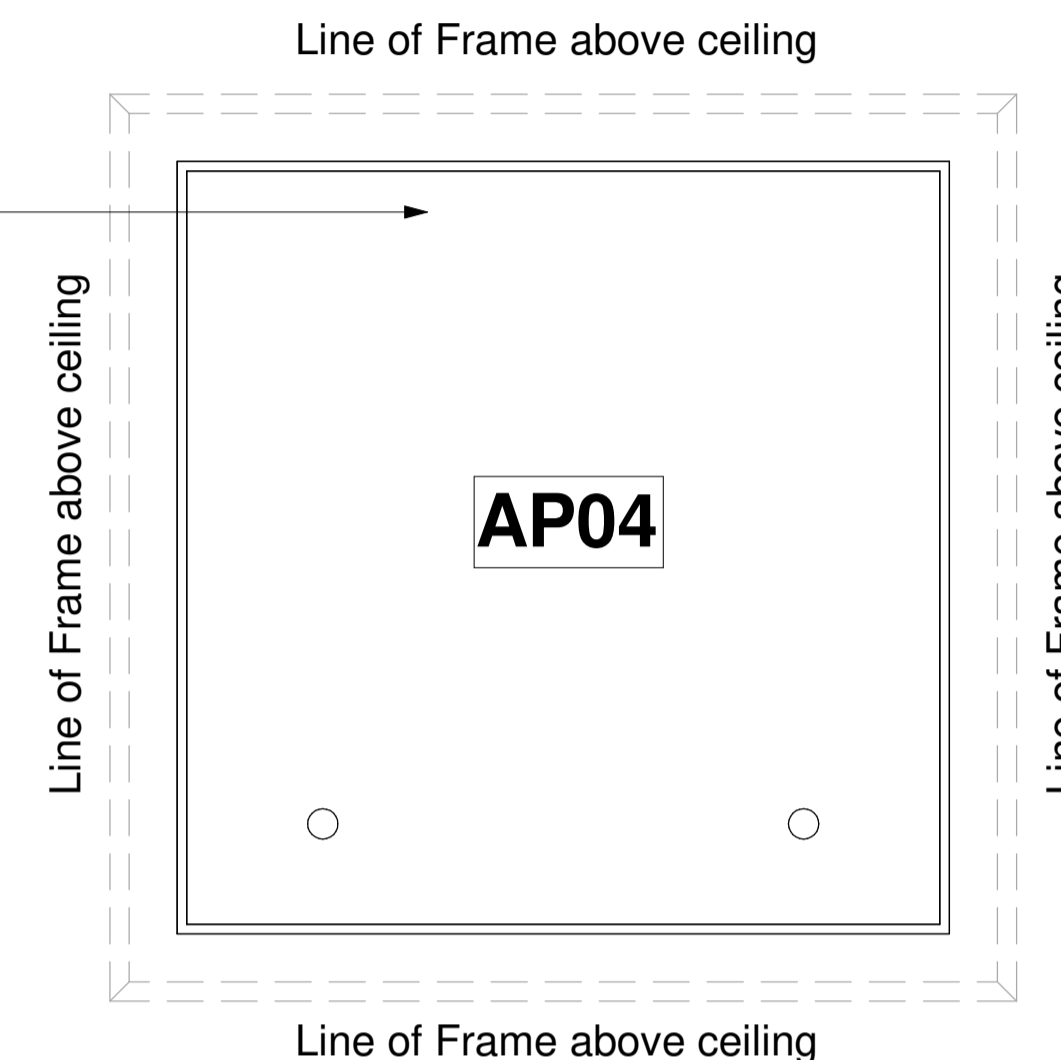
Scale



Access Panel Flushline Outer Frame - 3D

Scale

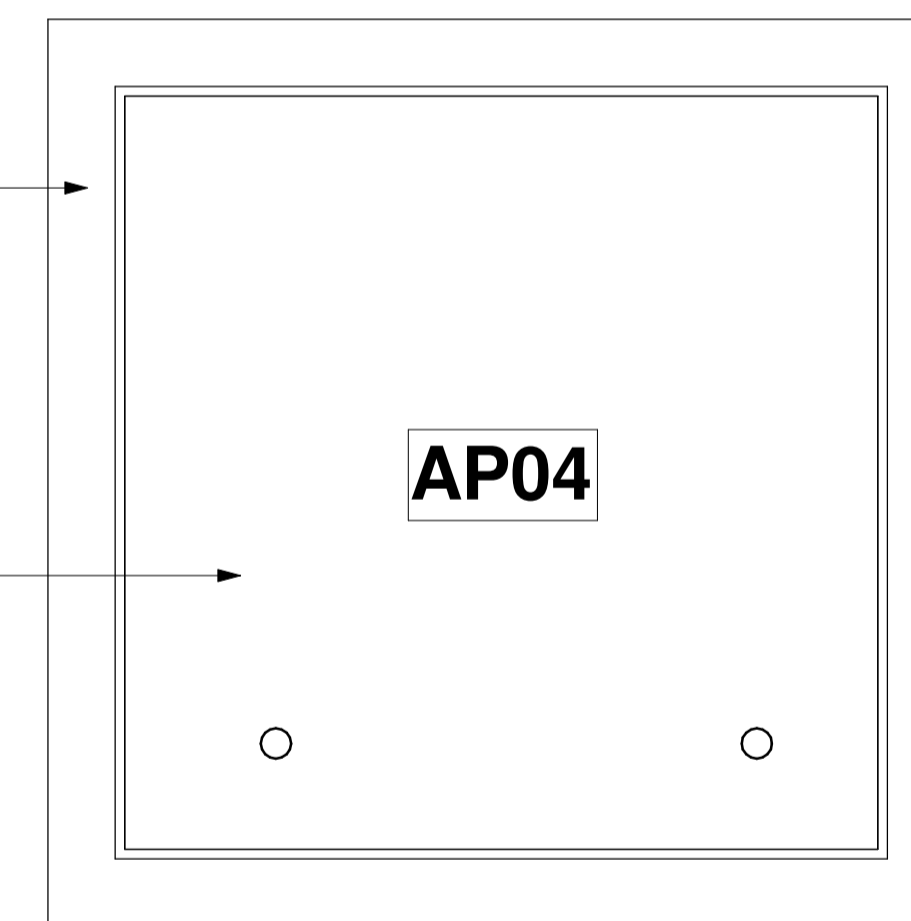
Keynote Legend	
Key Value	Keynote Text
AP04	Flushline Outer Frame. Extra over ceiling for Flush Line Access Panel comprising matt white powder coated aluminium Access Panel 580 x 580mm. Primed white bottom hinged fitted flush to ceiling with and including screw fixing through stalk of Access Panel into JUMBO Grid.
C2.3	Supply and install 3600mm JUMBO main tees at 1200mm centres in one direction and 1200mm JUMBO cross tees at 600mm centres perpendicular to main tees. Main tees to be suspended at 1200mm centres by means of 25 x 25 x 0.6mm galvanised steel angle, hangers fixed to bulb of main tee with water tek screws/steel pop rivets and to slab with 6 x 30mm express nails and washers.



Access Panel Flushline Outer Frame - Bottom view

Scale 1 : 5

Primed white bottom hinged fitted flush to ceiling with and including screw fixing through stalk of Access Panel into JUMBO Grid.



Access Panel Flushline Outer Frame - Top view

Scale 1 : 5

AP04 - ACCESS PANEL Flushline outer frame															
System	Access Panels														
Type of Product	Access Panels Flushline outer frame														
Recommended Areas	Access in the ceiling when Flushplaster ceilings are used														
Standard size	<ul style="list-style-type: none"> 580mm x 580mm (outside Stalk) Lid/Panel: 575mm X 575mm Overall frame: 617mm X 617mm 														
Material	<ul style="list-style-type: none"> Aluminium Frame 12mm Primed MDF lid/Panel 														
Picture															
Colour Options	Matt white powder coated														
Building material information	N/A														
Fire Protection	N/A														
Sound absorption	N/A														
Sound attenuation	N/A														
Sound insulation	N/A														
Practical sound absorption coefficient (α _p)	<table border="1"> <caption>Practical sound absorption coefficient (α_p) vs Frequency f (Hz)</caption> <thead> <tr> <th>Frequency f (Hz)</th> <th>Practical sound absorption coefficient (α_p)</th> </tr> </thead> <tbody> <tr><td>125</td><td>0.50</td></tr> <tr><td>250</td><td>0.40</td></tr> <tr><td>500</td><td>0.55</td></tr> <tr><td>1000</td><td>0.70</td></tr> <tr><td>2000</td><td>0.65</td></tr> <tr><td>4000</td><td>0.45</td></tr> </tbody> </table>	Frequency f (Hz)	Practical sound absorption coefficient (α _p)	125	0.50	250	0.40	500	0.55	1000	0.70	2000	0.65	4000	0.45
Frequency f (Hz)	Practical sound absorption coefficient (α _p)														
125	0.50														
250	0.40														
500	0.55														
1000	0.70														
2000	0.65														
4000	0.45														
Light reflectance	N/A														
Thermal conductivity	N/A														
Air permeability	N/A														
Humidity	N/A														
Green Rating	N/A														
Specifications	Extra over ceiling for Flush Line Access Panel comprising matt white powder coated aluminium Access Panel 580mm x 580mm. Primed white bottom hinged fitted flush to ceiling with and including screw fixing through stalk of Access Panel into JUMBO Grid.														
Notes	<ul style="list-style-type: none"> 580 x 580mm Outside of Stalk to Outside of Stalk Lid/Panel is hinged with 2Cam Locks Installation to be done before you board the Ceiling 														

Matt white powder coated aluminium Access Panel 580 x 580mm.



Primed white bottom hinged fitted flush to ceiling with and including screw fixing through stalk of Access Panel into JUMBO Grid.



pelican systems

ceiling and partitioning specialists...

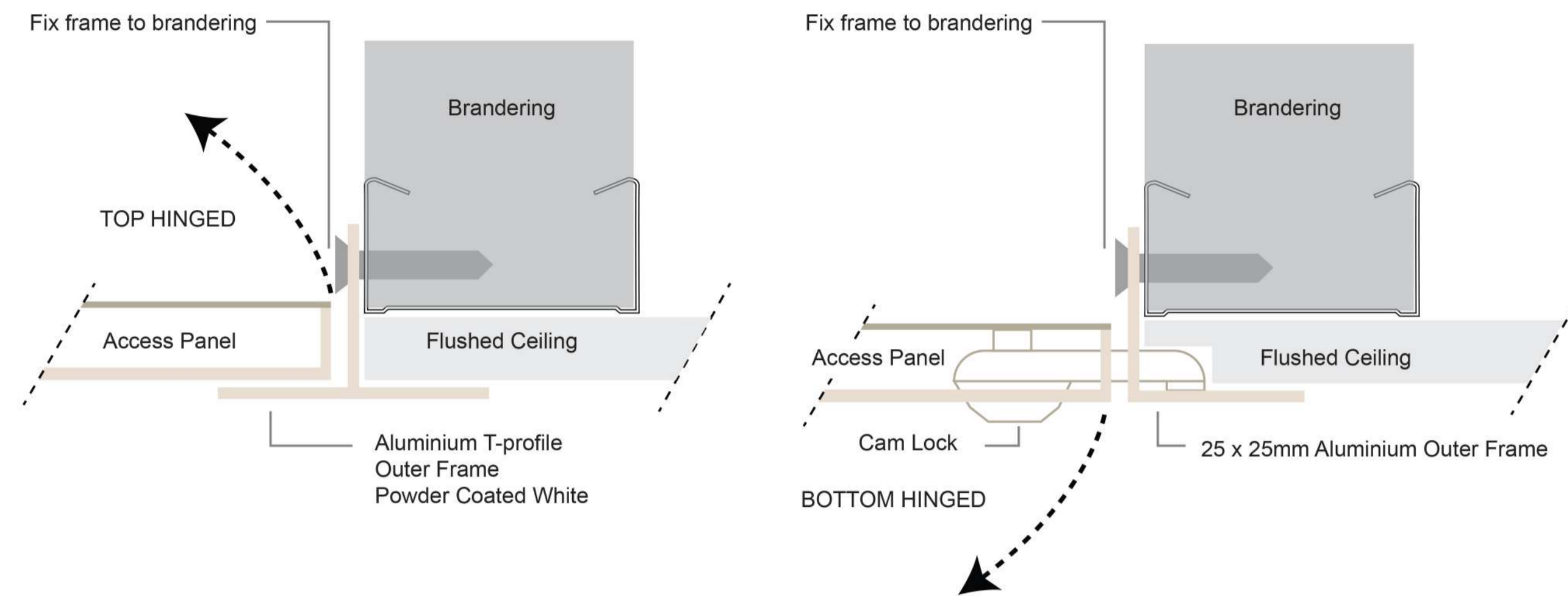
Head Office / Durban Branch | 765 / 793 Chris Hani Road, Durban, Redhill | 031 563 7307

Find us online at www.pelican.co.za or any of these social media sites





Flush Plastered Ceiling using Steel Brandering



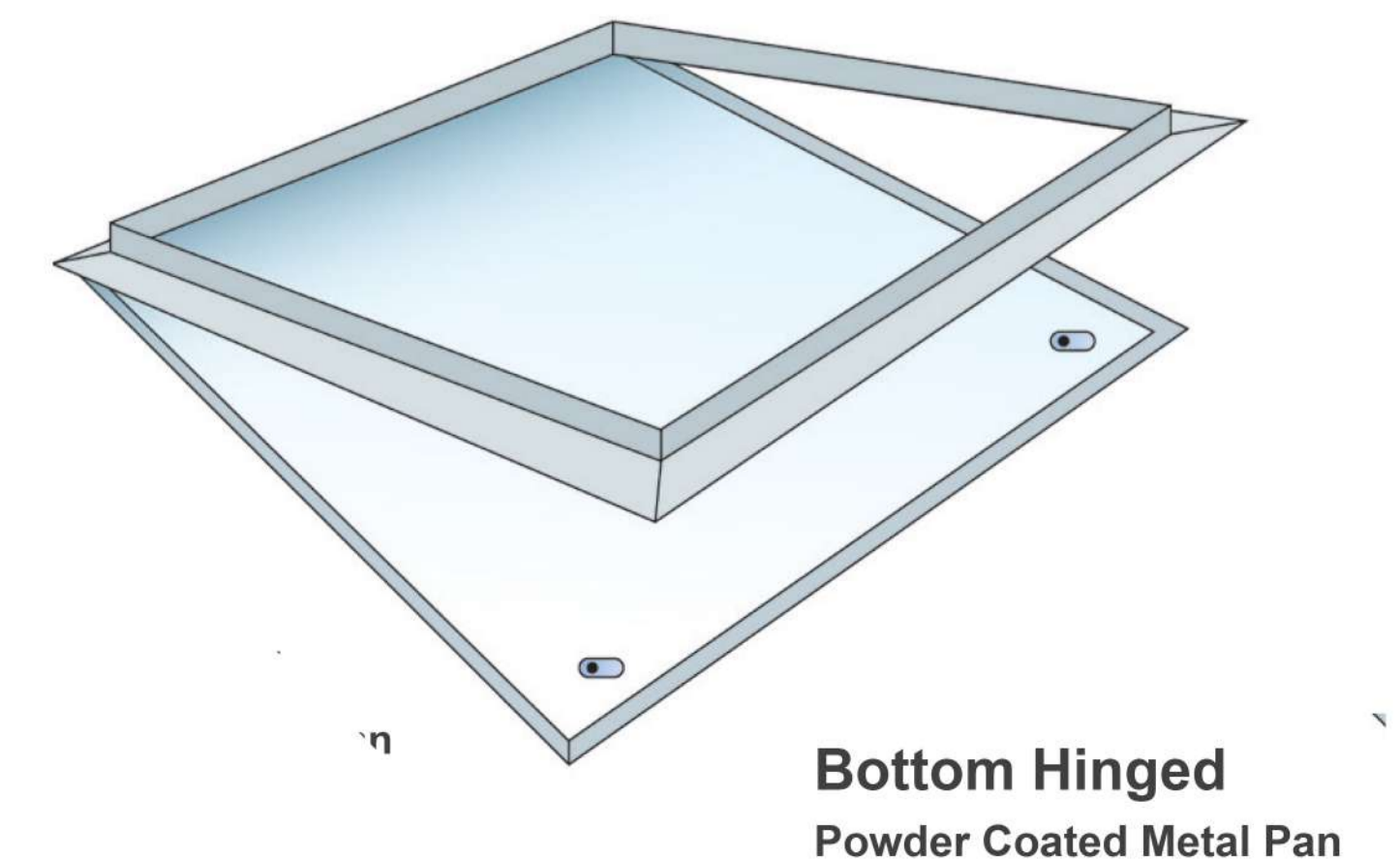
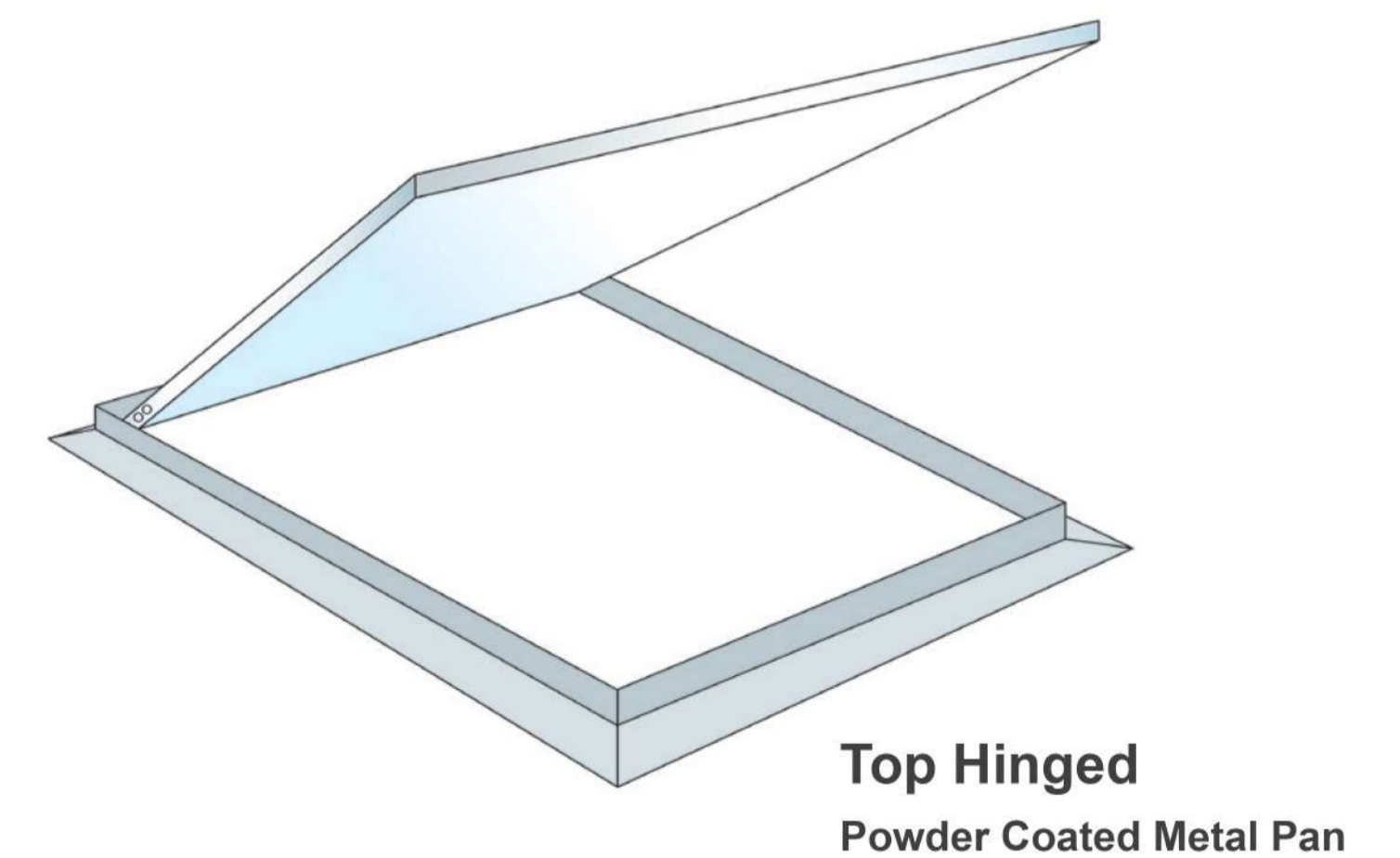
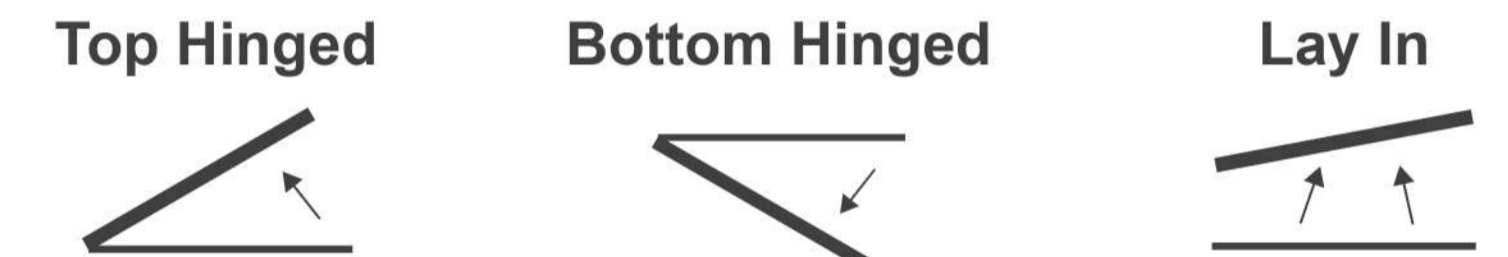
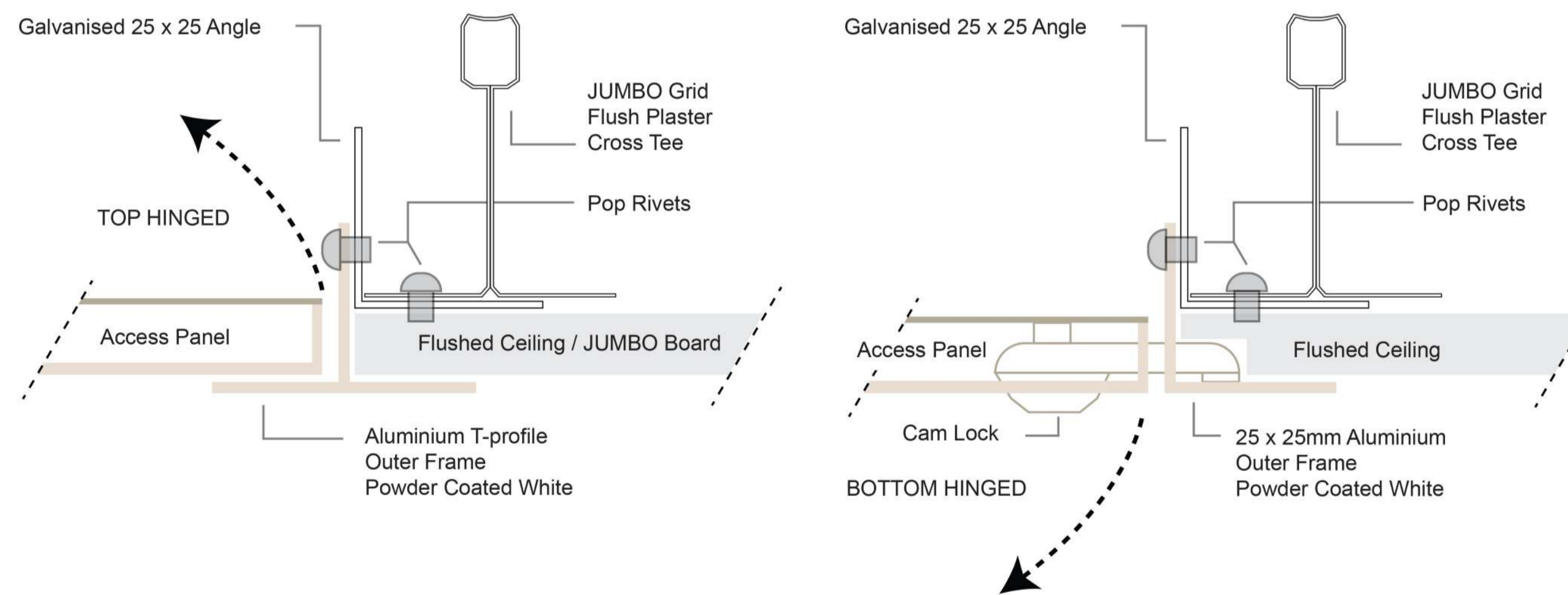
Pelican Systems Ceiling Access Panels offers a cost effective, aesthetically pleasing alternative to the conventional gypsum trap doors, ensuring that your ceiling access is neat and clean all the time.

Modern and functional, Pelican Systems' Ceiling Access Panels are available in 3 different configurations to cater for your specific requirements.

Benefits of Using Pelican Systems' Ceiling Access Panels

- This quality product guarantees a long lifespan.
- Time saving and easy to install panels come complete with full detailed fixing instructions for quick on site installation.
- Due to the powder coated finish, ceiling access panels are easy to clean - making unsightly finger marks, that are prevalent on conventional gypsum trap doors, a thing of the past.
- Aesthetically superior to gypsum, trap doors, they offer a neat, clean finish to ceilings.

Flush Plastered Ceiling using JUMBO Grid



Technical Specifications

Extra over ceiling for Ceiling Access Panel comprising 618 x 618mm white epoxy coated aluminium Access Panel with 570 x 570mm white epoxy coated steel pan in a (Top hinged / Bottom hinged / Lay-in) option as supplied by Pelican Systems fitted flush to ceiling with and including screw fixing through stalk of Access Panel into the steel brandering supporting sub-frame.

Size: 580 x 580mm | Colour: White



pelican systems
ceiling and partitioning specialists...

Head Office / Durban Branch | 765 / 793 Chris Hani Road, Durban, Redhill | 031 563 7307

Find us online at www.pelican.co.za or any of these social media sites

