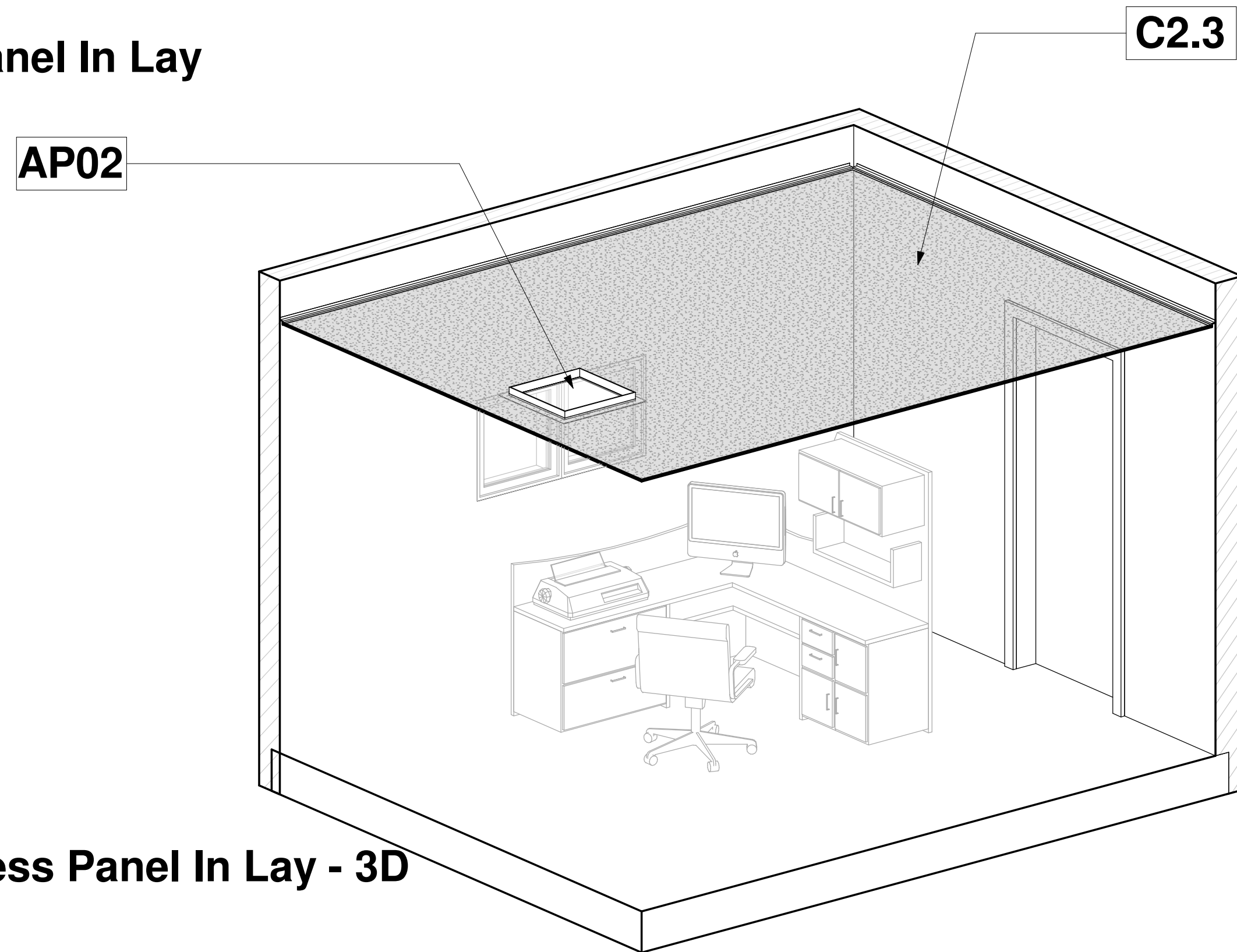


Matt white powder coated aluminium Access Panel 580 x 580mm.

Primed white bottom hinged fitted flush to ceiling with and including screw fixing through stalk of Access Panel into JUMBO Grid.

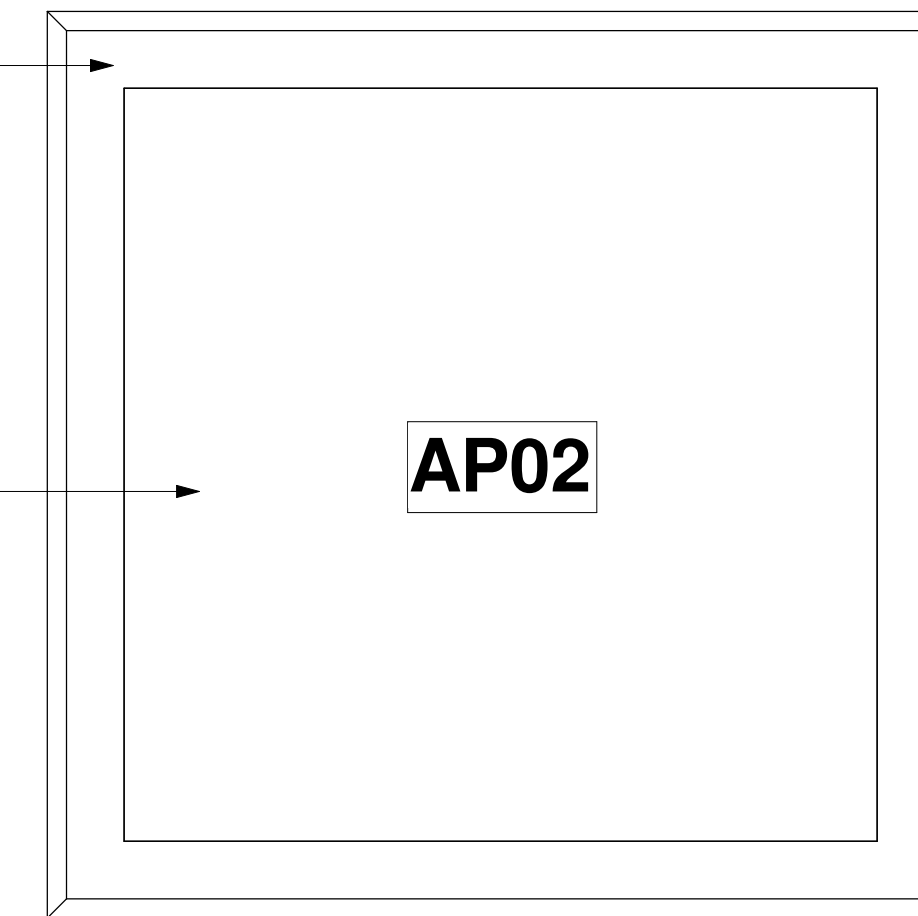
Access Panel In Lay  
Scale



Access Panel In Lay - 3D  
Scale

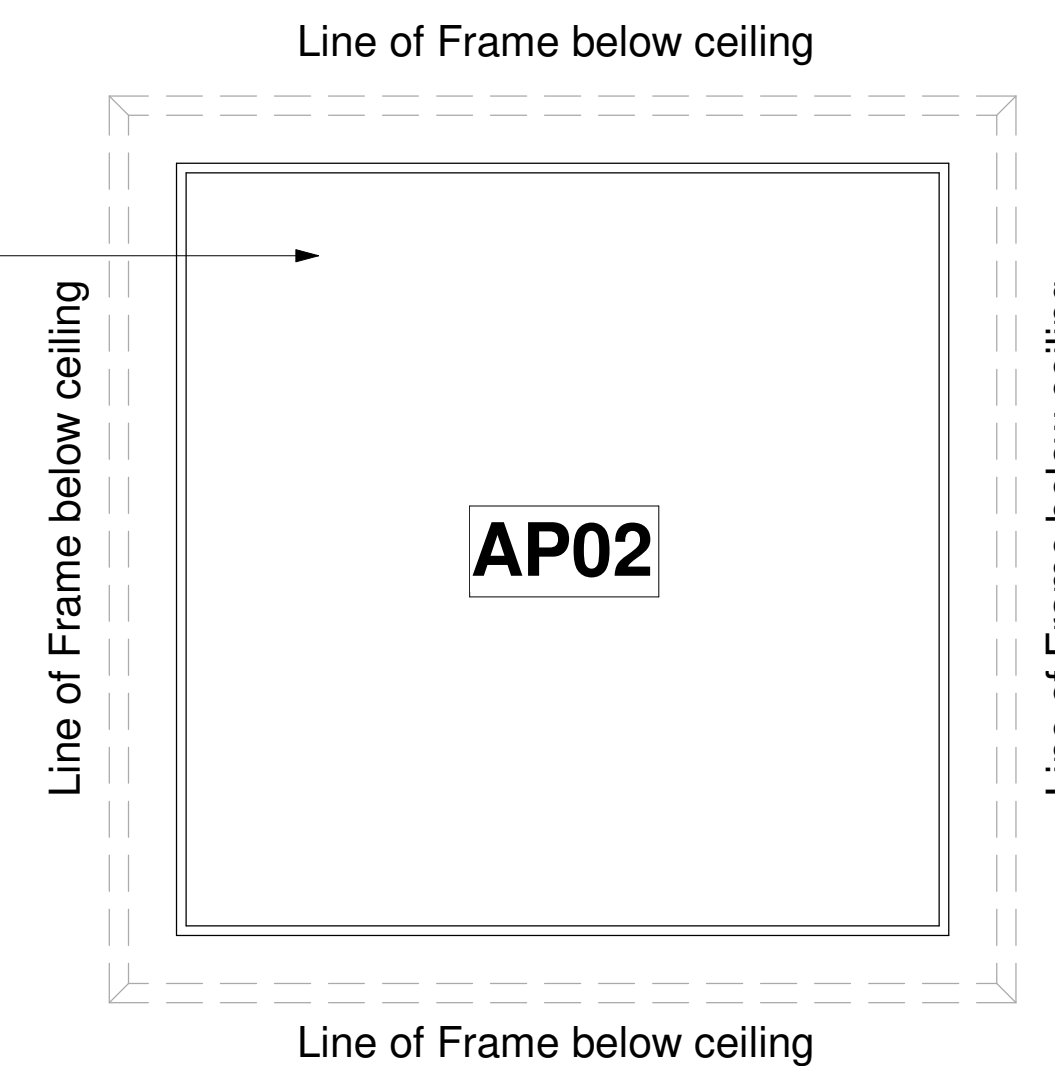
Keynote Legend	
Key Value	Keynote Text

AP02	In Lay Access Panel. Extra over ceiling for Pelican In Lay Access Panel comprising matt white powder coated aluminium Access Panel 580 x 580mm. Powder coated white bottom loose and fitted flush to ceiling with and including screw fixing through stalk of Access Panel into JUMBO Grid.
C2.3	Supply and install 3600mm JUMBO main tees at 1200mm centres in one direction and 1200mm JUMBO cross tees at 600mm centres perpendicular to main tees. Main tees to be suspended at 1200mm centres by means of 25 x 25 x 0.6mm galvanised steel angle, hangers fixed to bulb of main tee with wafer tek screws/steel pop rivets and to slab with 6 x 30mm express nails and washers.



Access Panel In Lay - Bottom view  
Scale 1 : 5

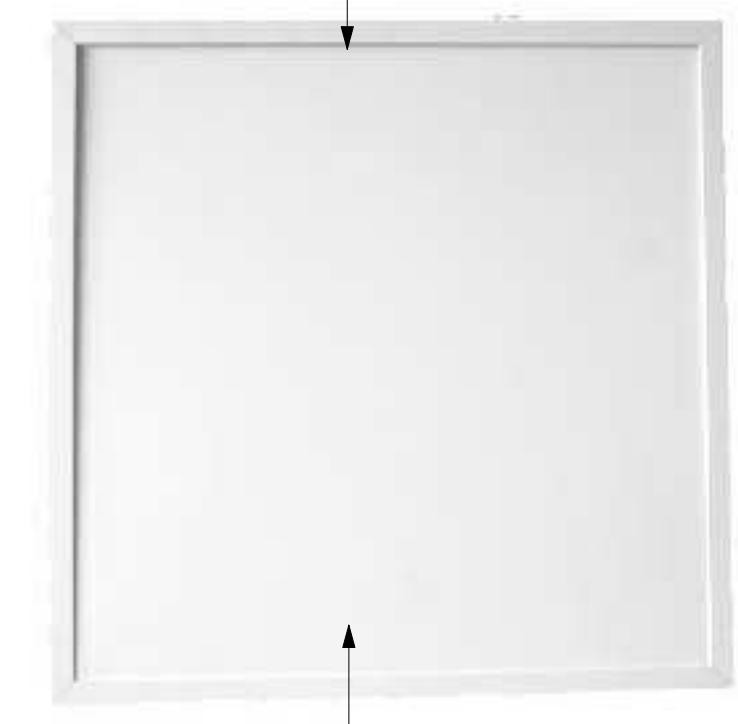
- NOTES:**
- 580 x 580mm Centre of Stalk to Centre of Stalk
  - 585 x 585mm is the Cut out in the Ceiling



Access Panel In Lay - Top view  
Scale 1 : 5

AP02 - ACCESS PANEL In Lay															
System	Access Panels														
Type of Product	Access Panels In Lay														
Recommended Areas	Access in the ceiling when Flushplaster ceilings are used														
Standard size	<ul style="list-style-type: none"> <li>• Cut out: 585mm x 585mm(outside Stalk)</li> <li>• Metal Panel: 570mm X 570mm</li> <li>• Overall frame: 617mm X 617mm</li> </ul>														
Material	<ul style="list-style-type: none"> <li>• Aluminium Frame</li> <li>• Powder coated Metal Panel</li> </ul>														
Picture															
Colour Options	Matt white powder coated														
Building material information	N/A														
Fire Protection	N/A														
Sound absorption	N/A														
Sound attenuation	N/A														
Sound insulation	N/A														
Practical sound absorption coefficient (α <sub>p</sub> )	<table border="1"> <caption>Practical sound absorption coefficient (α<sub>p</sub>) vs Frequency f (Hz)</caption> <thead> <tr> <th>Frequency f (Hz)</th> <th>Practical sound absorption coefficient (α<sub>p</sub>)</th> </tr> </thead> <tbody> <tr><td>125</td><td>0.50</td></tr> <tr><td>250</td><td>0.40</td></tr> <tr><td>500</td><td>0.55</td></tr> <tr><td>1000</td><td>0.70</td></tr> <tr><td>2000</td><td>0.65</td></tr> <tr><td>4000</td><td>0.45</td></tr> </tbody> </table>	Frequency f (Hz)	Practical sound absorption coefficient (α <sub>p</sub> )	125	0.50	250	0.40	500	0.55	1000	0.70	2000	0.65	4000	0.45
Frequency f (Hz)	Practical sound absorption coefficient (α <sub>p</sub> )														
125	0.50														
250	0.40														
500	0.55														
1000	0.70														
2000	0.65														
4000	0.45														
Light reflectance	N/A														
Thermal conductivity	N/A														
Air permeability	N/A														
Humidity	N/A														
Green Rating	N/A														
Specifications	Extra over ceiling for Pelican In Lay Access Panel comprising matt white powder coated aluminium T-frame 580mm x 580mm. Primed white bottom loose fitted flush to ceiling with and including screw fixing through stalk of T-frame into JUMBO Grid.														
Notes	<ul style="list-style-type: none"> <li>• Lid/Panel is loose with no Lock</li> </ul>														

Matt white powder coated aluminium Access Panel 580 x 580mm.



Powder coated white bottom fitted flush to ceiling with and including screw fixing through stalk of Access Panel into JUMBO Grid. ( Panel is loose)



## pelican systems

ceiling and partitioning specialists...

Head Office / Durban Branch | 765 / 793 Chris Hani Road, Durban, Redhill | 031 563 7307

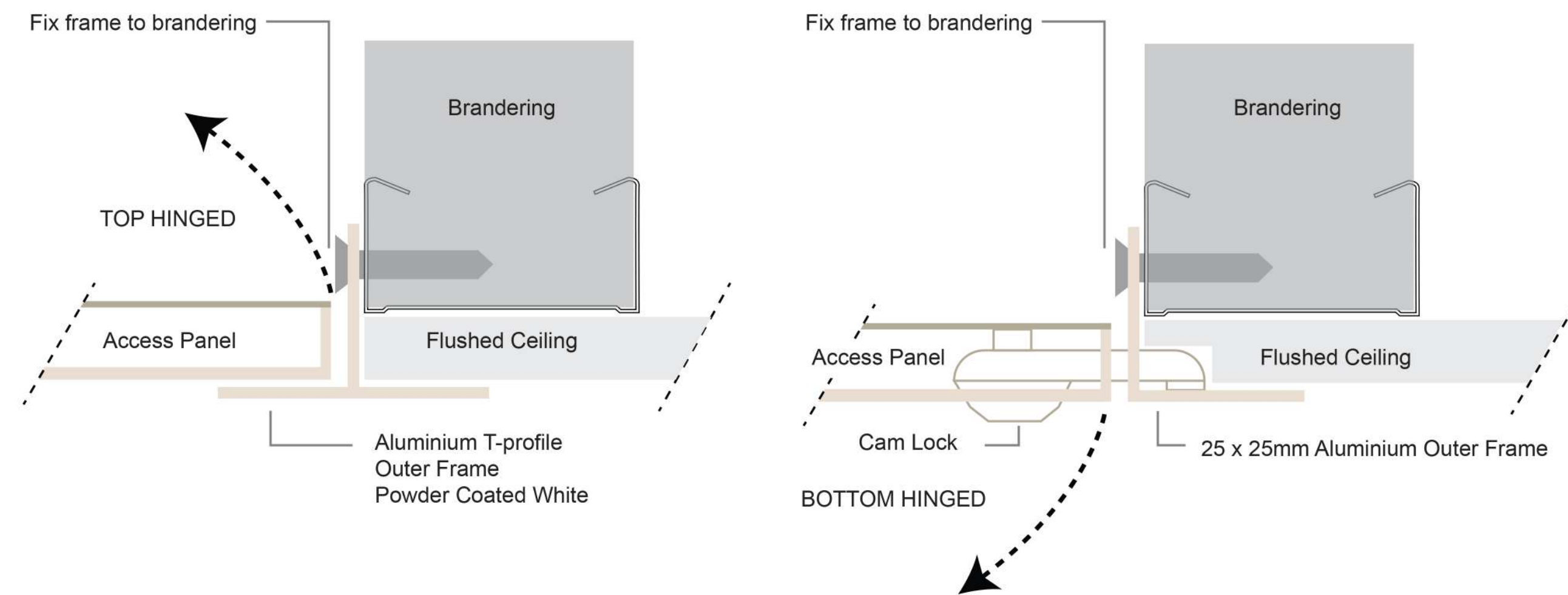
Find us online at [www.pelican.co.za](http://www.pelican.co.za) or any of these social media sites







## Flush Plastered Ceiling using Steel Brandering



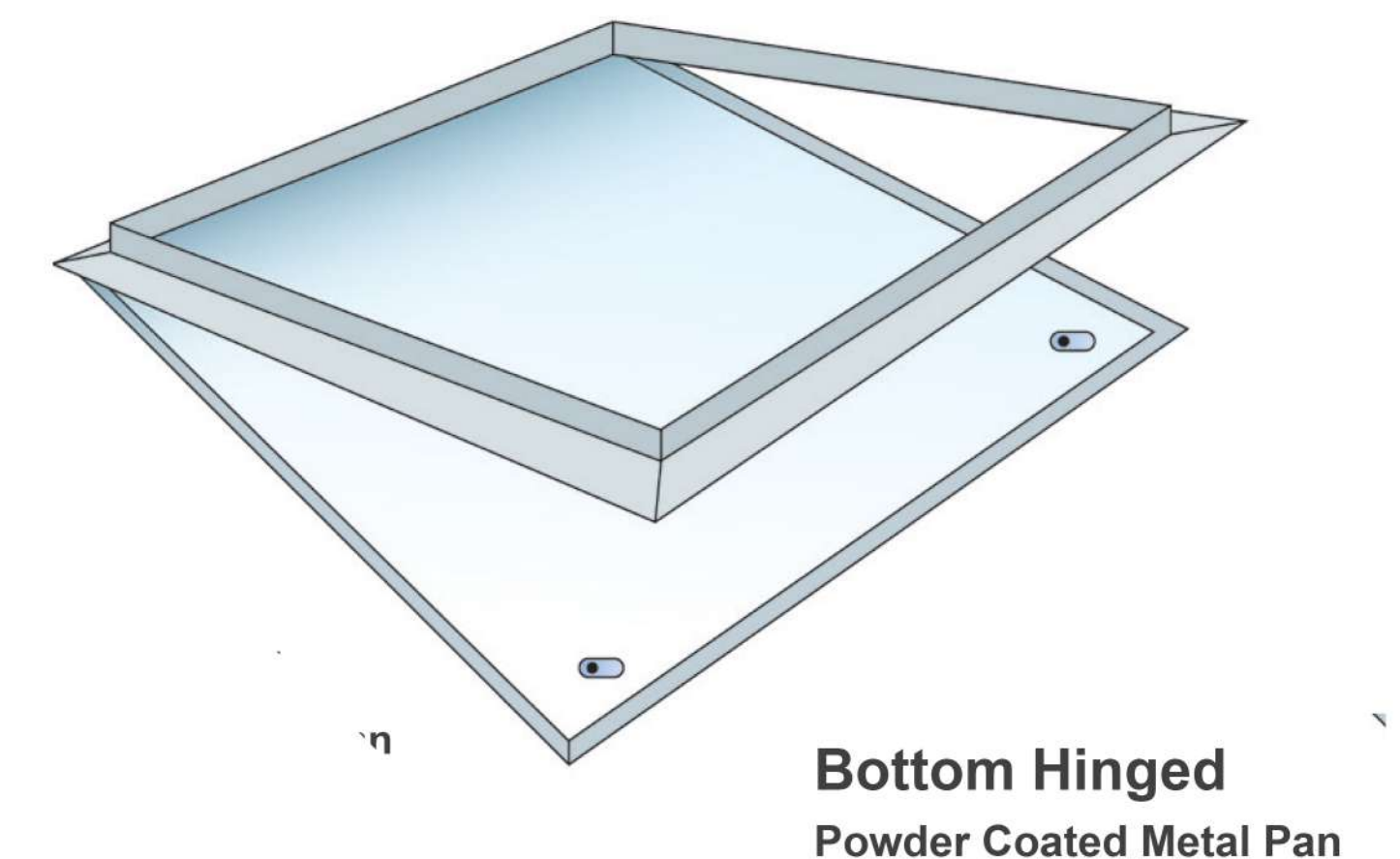
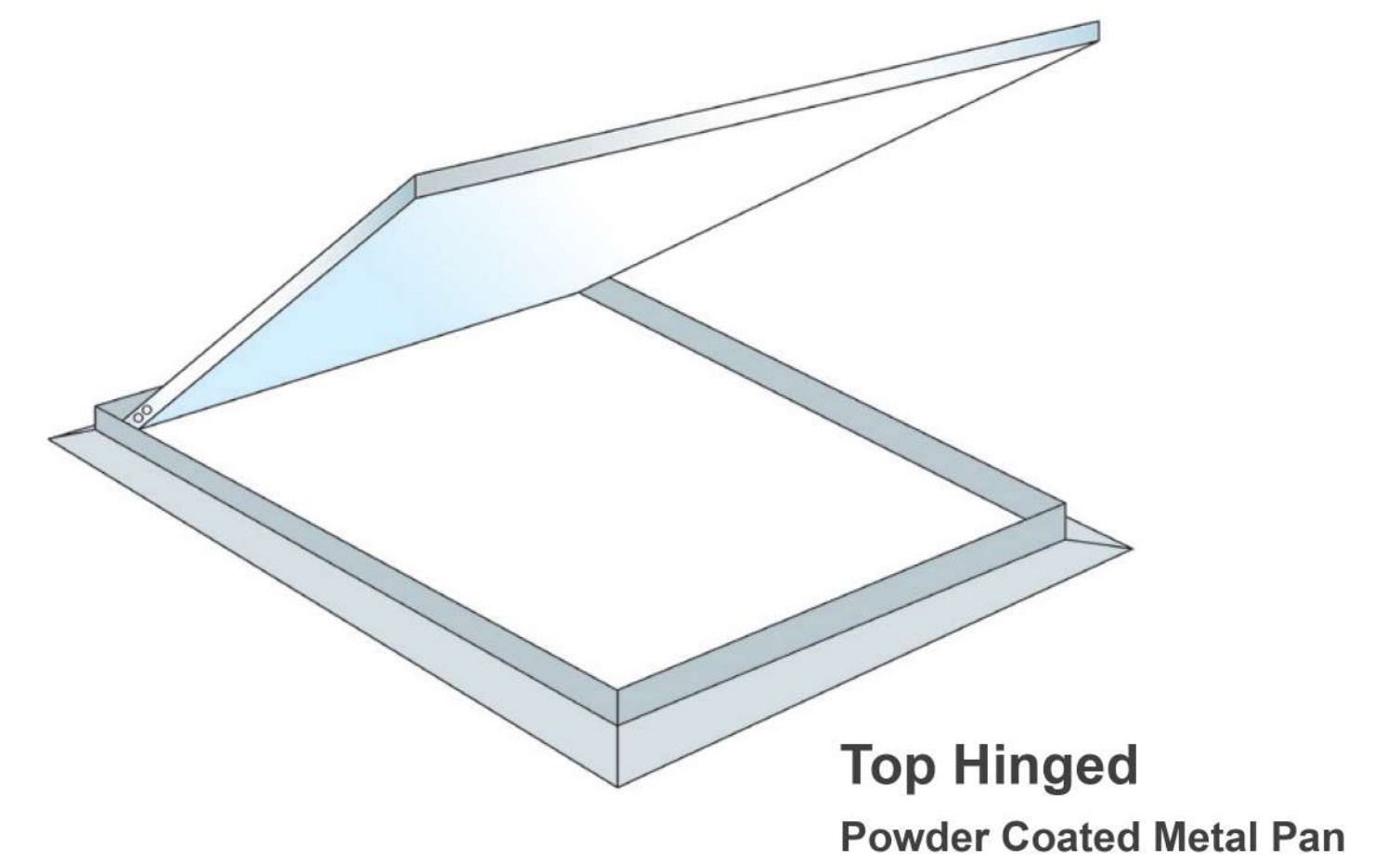
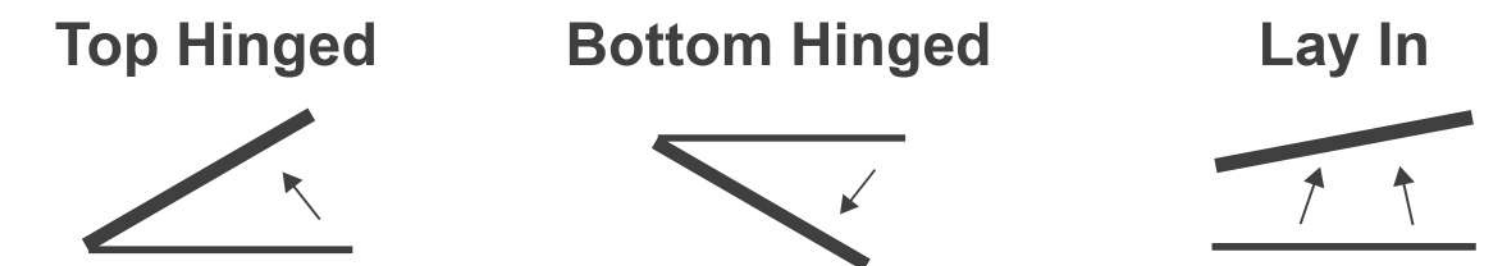
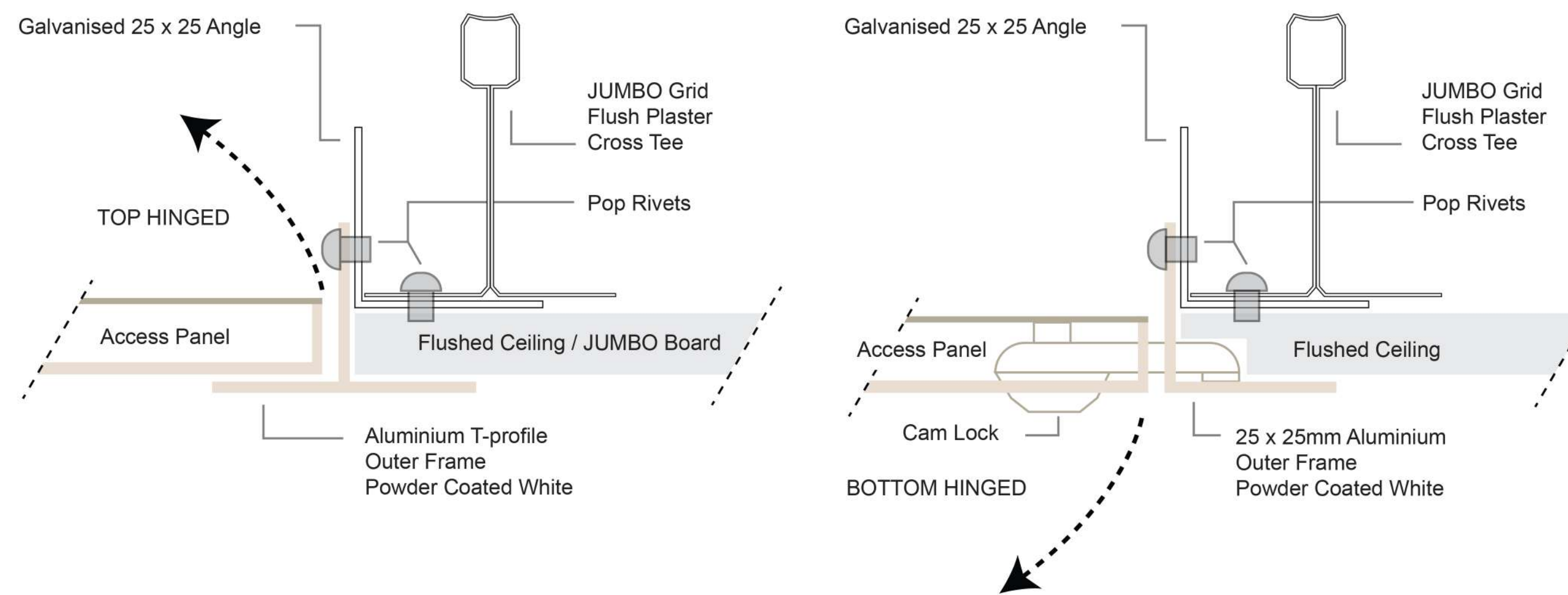
**Pelican Systems Ceiling Access Panels offers a cost effective, aesthetically pleasing alternative to the conventional gypsum trap doors, ensuring that your ceiling access is neat and clean all the time.**

Modern and functional, Pelican Systems' Ceiling Access Panels are available in 3 different configurations to cater for your specific requirements.

## Benefits of Using Pelican Systems' Ceiling Access Panels

- This quality product guarantees a long lifespan.
- Time saving and easy to install panels come complete with full detailed fixing instructions for quick on site installation.
- Due to the powder coated finish, ceiling access panels are easy to clean - making unsightly finger marks, that are prevalent on conventional gypsum trap doors, a thing of the past.
- Aesthetically superior to gypsum, trap doors, they offer a neat, clean finish to ceilings.

## Flush Plastered Ceiling using JUMBO Grid



## Technical Specifications

Extra over ceiling for Ceiling Access Panel comprising 618 x 618mm white epoxy coated aluminium Access Panel with 570 x 570mm white epoxy coated steel pan in a (Top hinged / Bottom hinged / Lay-in) option as supplied by Pelican Systems fitted flush to ceiling with and including screw fixing through stalk of Access Panel into the steel brandering supporting sub-frame.

**Size: 580 x 580mm | Colour: White**



**pelican systems**  
ceiling and partitioning specialists...

Head Office / Durban Branch | 765 / 793 Chris Hani Road, Durban, Redhill | 031 563 7307

Find us online at [www.pelican.co.za](http://www.pelican.co.za) or any of these social media sites

