

ceiling access

... made easy with Access Panels and JUMBO® T-Frames



ceiling systems

partitioning systems

opening systems

flooring systems



Head Office / Durban
(031) 563 7307
Pietmaritzburg Branch
(033) 345 3701

For export and all other regions
contact our head office or
one of our distributors.

Distributors:

Zululand
Above All Ceiling & Partitioning Systems
(035) 751 1956

Northern KZN
SAIBA Industries (Pty)
(034) 375 6051/2

South Coast
Southgate Ceilings & Partitions
(039) 314 9021

East London & Border Area
Almex East London
(043) 736 6334

Port Elizabeth
Amalgamated
(041) 451 2846

Krugersdorp
Ceiling Dynamix
(011) 660 6584

Northriding, Johannesburg
C+T Ceilings & Partitions Warehouse
(011) 704 6224

Centurion, Pretoria
C+T Ceilings & Partitions warehouse
(012) 653 3531

Alrode, Johannesburg
Supertec Ceilings & Board
(011) 868 4901

Troyeville, Johannesburg
Supertec Ceilings & Board
087 943 4040

Wynberg, Johannesburg
Supertec Ceilings & Board
(011) 440 3712

Hamilton, Bloemfontein
Smart Boards (Pty) Ltd
(051) 430 8123

Visit our website on www.pelican.co.za
Email info@pelican.co.za



creating environments

You can spend many hours choosing the perfect interior finishes and creating the best spaces only to have them marred by unsightly access to service installations. At Pelican Systems we use quality materials and intelligent design to solve your access problems while protecting the beauty and integrity of your designs and finishes.

Prefabricated access panels are modern and functional and allow for a far more professional overall finish.

Features and Benefits:

- Ceiling access without unsightly cracks, joins & timber frames
- Neat clean finish within the ceiling
- Powder coated finish allows for easy cleaning eliminating unsightly finger-marks
- High quality raw materials ensure a long life span
- Easy to install, reducing time on site
- Custom sizes, finishes and hardware are available on request

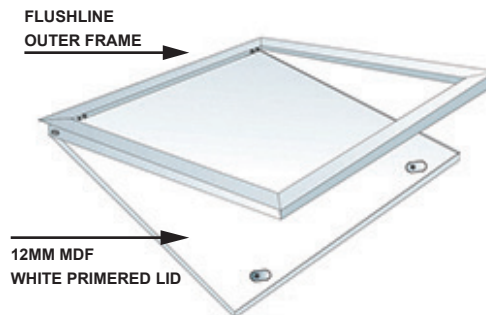
There are a variety of options to choose from to suit the required application and budget.

Flushline Access Panel is designed for a flush plastered ceiling and is the least visible of all leaving only a 2mm shadowline in the ceiling. This 2mm shadowline becomes the only visible evidence of an access point within the ceiling making this an extremely attractive option.

A 12mm MDF lid is incorporated into an aluminium frame which is fitted flush against the JUMBO® plasterboard. The pan is pre-primered allowing for the painting of the ceiling (including the access panel) to be one easy application.

Recommended and standard production sizes are 600 x 600mm.

FLUSHLINE ACCESS PANEL

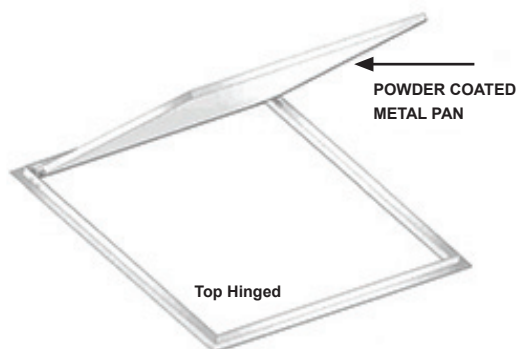


Top Hinged, Bottom Hinged and Lay-In Access Panels are all manufactured with an aluminium frame and a metal pan powder coated white.

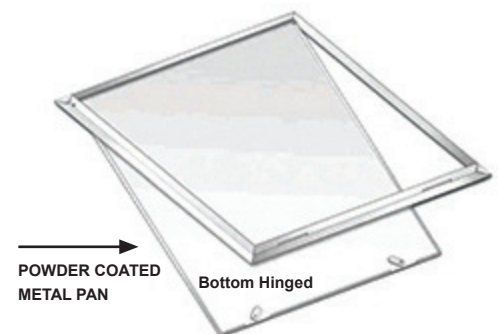
Standard production sizes are 600 x 600mm.

(Other sizes can be made to order, but sizes larger than 1200 x 600 mm are not recommended)

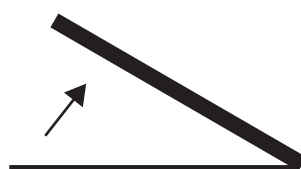
TOP HINGED



BOTTOM HINGED



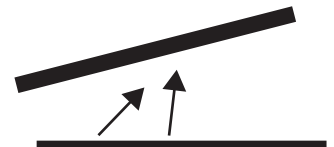
TOP HINGED



BOTTOM HINGED

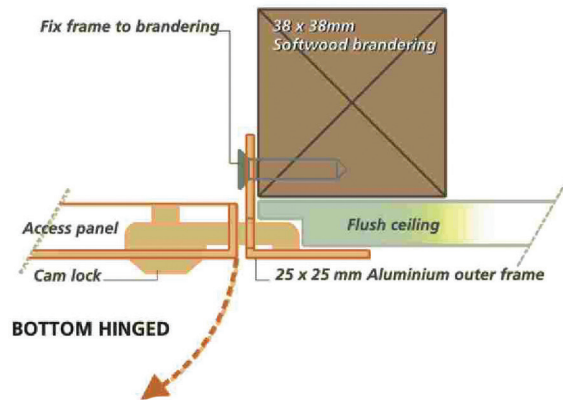
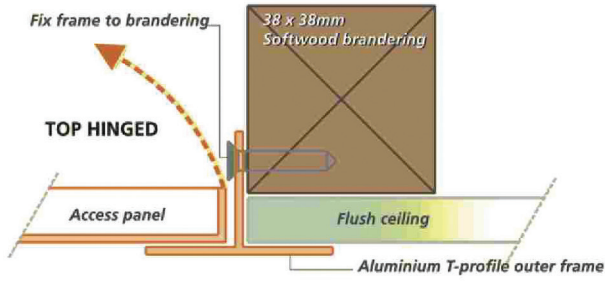


LAY-IN

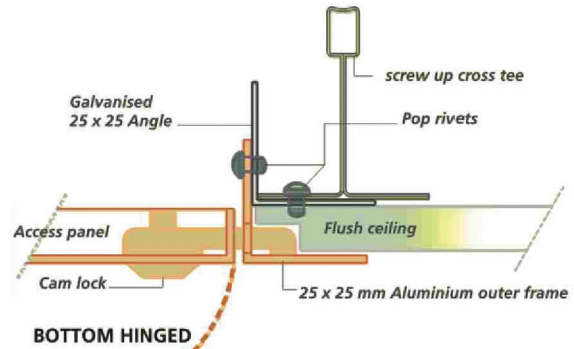
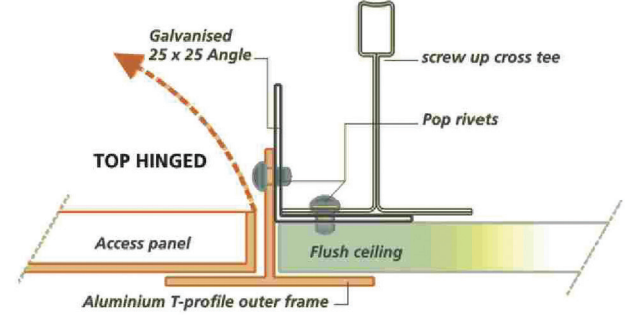


FIXING INSTRUCTIONS

1. FLUSH PLASTER TIMBER BRANDED CEILINGS



2. FLUSH PLASTER STEEL T-SUSPENSION CEILINGS



JUMBO[®] T-Frames

The most economical option that allows a neat finish by providing an aluminium frame in a white powder coated finish. Available in 1200 x 600mm and 600 x 600mm configurations.

Our packaging protects each frame and there are 10 T-Frames packed in a carton.



Bill of Quantity:

Extra over ceiling for Pelican (Flushline / Bottom Hung / Top Hung / In-lay) Access Panel comprising matt white powder coated aluminium T-Frame 580 x 580mm, fitted flush to ceiling with and including screw fixing through frame into JUMBO[®] Grid / Brander.