

T2 toilet partitions

frameless partition system



ceiling systems

partitioning systems

opening systems

flooring systems



Head Office / Durban
(031) 563 7307
Pietermaritzburg Branch
(033) 345 3701

For export and all other regions
contact our head office or
one of our distributors.

Distributors:

Zululand
Above All Ceiling & Partitioning Systems
(035) 751 1956
Northern KZN
SALBA Industries (Pty)
(034) 375 6051/2
South Coast
Southgate Ceilings & Partitions
(039) 314 9021
East London & Border Area
Almex East London
(043) 736 6334
Port Elizabeth
Amalgamated
(041) 451 2846
Krugersdorp
Ceiling Dynamix
(011) 660 6584
Northriding, Johannesburg
C+T Ceilings & Partitions Warehouse
(011) 704 6224
Centurion, Pretoria
C+T Ceilings & Partitions warehouse
(012) 653 3531
Alrode, Johannesburg
Supertec Ceilings & Board
(011) 868 4901
Wynberg, Johannesburg
Supertec Ceilings & Board
(011) 440 3712
Hamilton, Bloemfontein
Smart Boards (Pty) Ltd
(051) 430 8123

Visit our website on www.pelican.co.za
Email info@pelican.co.za



creating environments

The design and functionality of the T2 Toilet Partition System was inspired by the need for an upmarket, durable yet vandal resistant toilet partition system that can be used in a variety of public facility applications such as washroom cubicles, ablution cubicles and change room cubicles.

The T2 system is a frameless panel system constructed with 12mm high pressure laminate board. The product is superior in quality and is targeted at the high end of the market but still remains a cost efficient solution.

T2 is ideal for use in Shopping Malls, Stadiums, Hotels, Conference Facilities and Educational Institutions

Features and Benefits:

- Neat and hygienic
- Double sided facings which are water resistant
- Frameless with superior aesthetics
- Stylish stainless steel ironmongery
- Variety of colours options available including woodgrains
- Low maintenance and user friendly system
- Vandal resistant and rodent proof
- Height adjustable feet system

Innovative Design and Superior Aesthetics

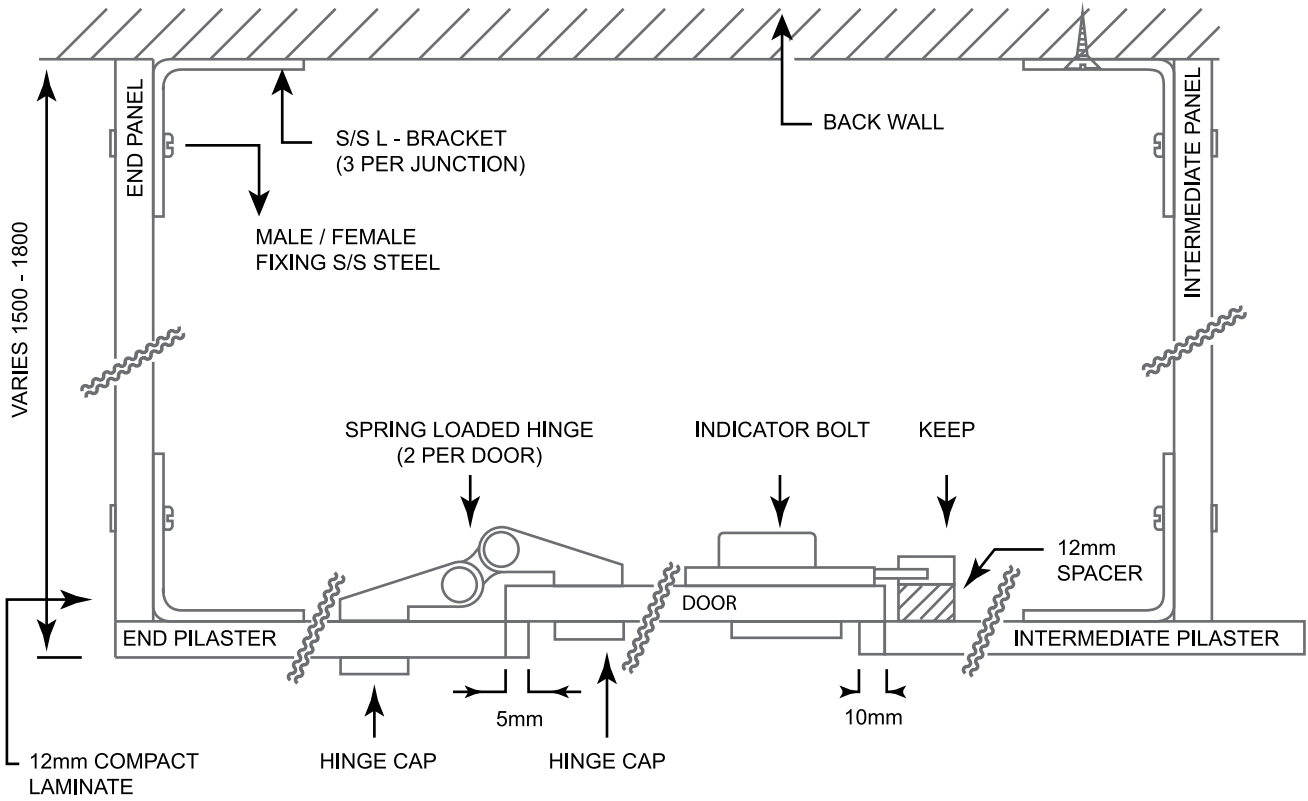


Bill of quantity specification:

Supply and install Pelican Systems T2 Toilet Partition System comprising of 12mm thick Compact HPL panels (specify finish), supported by overhead bracing with grade 304 stainless steel supporting feet, plugged and screwed to floor and fixed into position by means of grade 304 stainless steel wall fixing brackets plugged and screwed to walls.

Partition doors: 762 x 1762mm high doors including standard ironmongery comprising of indicator bolts, hat and coat hooks, door stops, toilet roll holders and buffers.

T2 PLAN SHOWING FIXING DETAIL



T2 FRONT ELEVATION

