

installation guide

Jumbo Polystyrene Cornices

Installing mouldings has never been easier with the lightweight Jumbo® range which is prefabricated in the factory and arrive ready to install. The Jumbo® Utility Adhesive must be used to install Jumbo mouldings. Water based acrylic PVA Paint should be used for final coating.

Application:

- substrates must be clean, free of dust and grease
- apply a liberal bead of adhesive along top and bottom of cornice
- press firmly to hold in position
- wipe away excess adhesive with a damp sponge or cloth
- keep away from frost

For fixing polystyrene and polyurethane:

- excellent adhesive and filling properties
- can be sanded
- good initial grab
- suitable for painting
- no film formation

Characteristics:

- acrylic polymer
- high initial tack and final bond strength
- hard glue line with good sanding properties
- excellent adhesion to paper and walls
- flow properties designed as a paste to be applied with a scraper

Specifications:

- Viscosity: approx 350 000 mPa.s @ 25°
- Solid content: approx 80 ±1%
- SG: approx 1.78g/cm³
- pH: approx 8.5
- Consumption: 70 - 150gsm
- Glue Spread: 50g / metre for small to medium mouldings on new or straight walls 100g / metre for large mouldings on new or straight walls 100g / metre for small to medium mouldings on damaged or uneven walls 200g / metre for large mouldings on damaged or uneven walls
- Jumbo® Utility Adhesive available in 2kg, 5kg,10kg buckets and 285ml tubes



DIN EN 9001:2000
CERTIFICATE NO. 01 100 8280061
ISO CERTIFICATION FOR DURBAN ONLY

Tel: +27(0)31 563 7307
Website: www.pelican.co.za
Email: info@pelican.co.za



Dilution of Glue:

- dilution not recommended

Cleaning of Equipment:

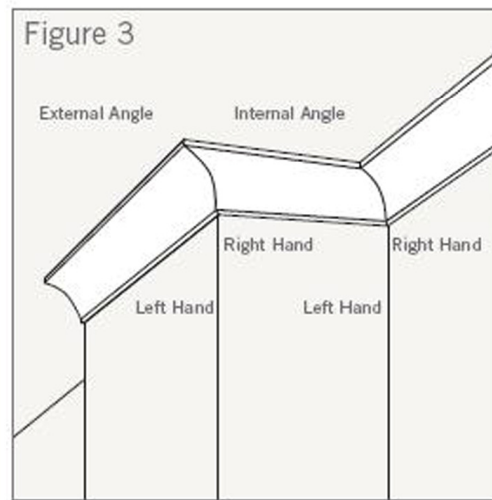
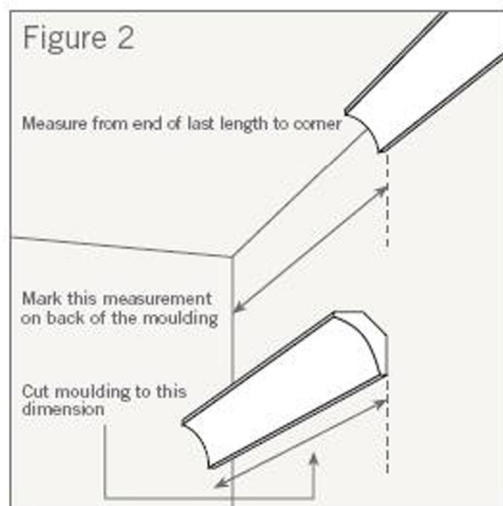
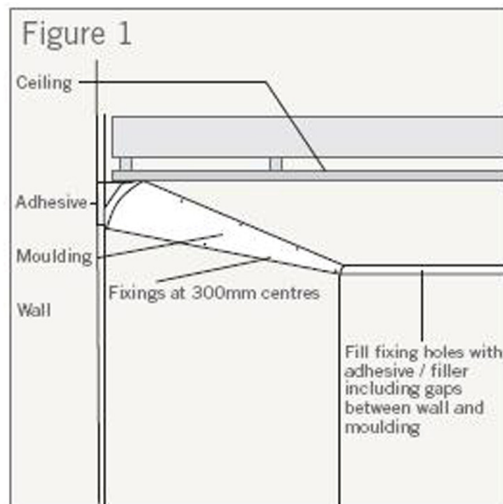
- clean equipment with water before adhesive dries
- dried adhesive can be manually brushed or scraped using hot water

Storage:

- store between 15° to 30° under dry conditions
- unused containers should be tightly sealed

Shelf Life:

- approximately 12 months when stored correctly



Sections Not Drawn to Scale

Storage and Installation

- The Jumbo® Decorative mouldings stored in cold or hot conditions should be allowed to stabilize to ambient temperature for about 24 hours in the room or site before installation.
- The Jumbo® Decorative mouldings should not be stored in shipping containers as the temperatures inside can exceed 60°C in summer.
- The Jumbo® Decorative mouldings expand and contract with the temperature and must be installed tightly.
- The Jumbo® Decorative mouldings must be installed on level and firm surfaces and securely fixed at all joints. Should fixings be required, then fixings to be at 300mm

centres. Large mouldings require additional support on either the vertical or horizontal surfaces for positive fixing.

- The Jumbo® Decorative mouldings to be installed should normally be cut slightly longer than actual length required to be installed. This is to give a tight fit to the joints.
- All joints should be butt joints on straight runs and mitred joints in the corners. Joints must be filled and fixed with adhesive.
- Ensure all joints have adequate adhesive for a strong hold. Once glued onto ceiling/wall, fasten with nails/screws or panel pins especially close to the joints and edges of moulding for tight and secure fit.
- Spread adhesive along edges and back of moulding and at each end. Use enough adhesive so that the entire surface of the cut edge at each end is covered.
- Push moulding flat to surface and secure.
- For more than one piece of moulding use the following procedure:
 - Anchor first piece of moulding using previous procedure
 - Oversize and cut next piece of moulding
 - Secure at mark on wall (see figure 2 in diagram below)
 - Press free end of moulding firmly against first piece of moulding, use adhesive between the pieces
 - Push moulding flat onto wall and secure
- Jumbo® products should be cut using a fine-toothed panel saw or fine hacksaw. This will give a clean edge without damaging the product. Do not cut with a knife or hot wire. Ask your dealer about the complete Mitre Box, which is available for hire or purchase. The Mitre Box is essential for cutting mitres and the angles required at corners.
- Contact our technical department for complicated curves.

Painting

- Polystyrene mouldings can be painted directly with any acrylic water based paint.
- A PVA paint would be required before applying any enamel or solvent based paint.
- Polystyrene mouldings should not be left unpainted as the mouldings will turn yellow.
- Applying base coats to Polystyrene mouldings before installation is advisable.
- Ensure that adhesive touch-ups are sanded level to the moulding profile.
- Paint techniques can be applied to mouldings by specialists.