

technical specification

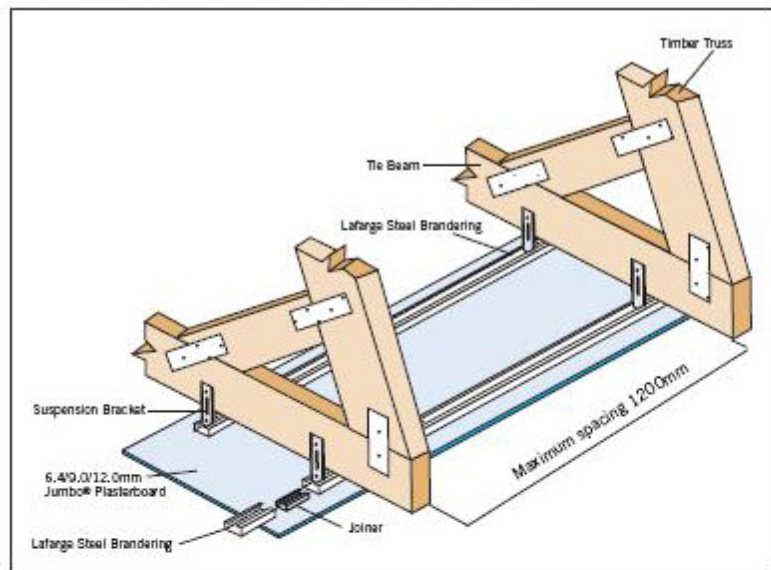
Lafarge Steel Brandering

Lafarge Steel Brandering has been designed as an alternative to timber brandering. Lafarge Steel Brandering can also be used in bulkhead construction. A range of joiners are available to facilitate easy bulkhead construction.

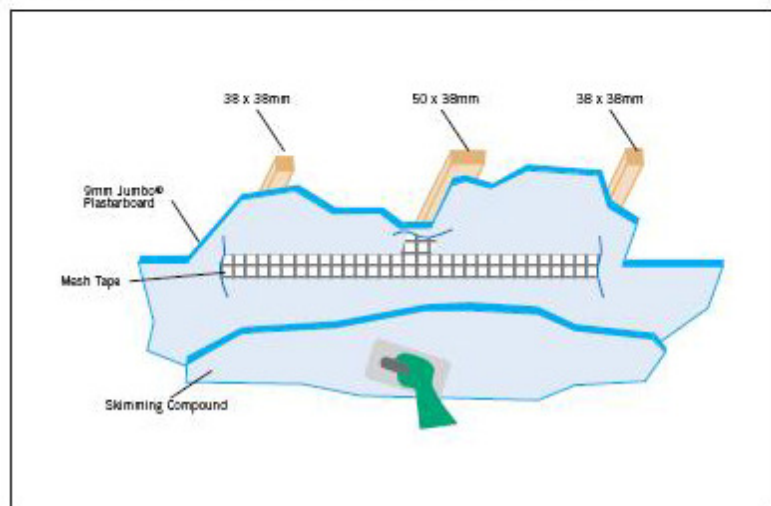
Advantages:

- Cost effective*
- Transportation*
- Handling and stacking*
- Easy levelling of suspension bracket*
- Straightness*
- Varied lengths*
- Ease of cutting*
- Minimum wastage*
- Easy installation*
- Eco friendly*

Typical 3 Dimensional Construction Detail



Typical Jumbo® Skimmed Residential Ceiling



Sections not drawn to scale



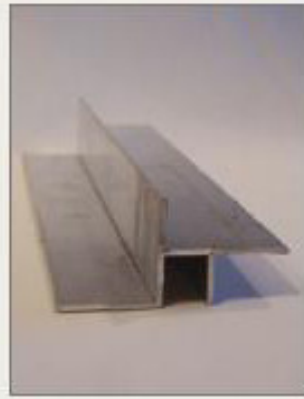
DIN EN 9001:2000
CERTIFICATE NO. 01 100 8280061
ISO CERTIFICATION FOR DURBAN ONLY

Tel: +27(0)31 563 7307
Website: www.pelican.co.za
Email: info@pelican.co.za

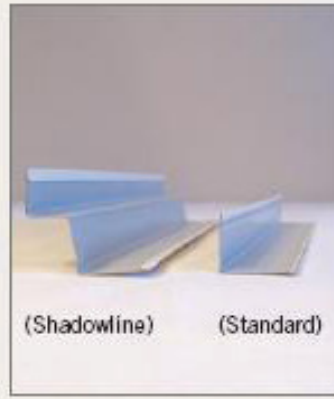




Steel Branderling Joiner



Plaster Ceiling Junction



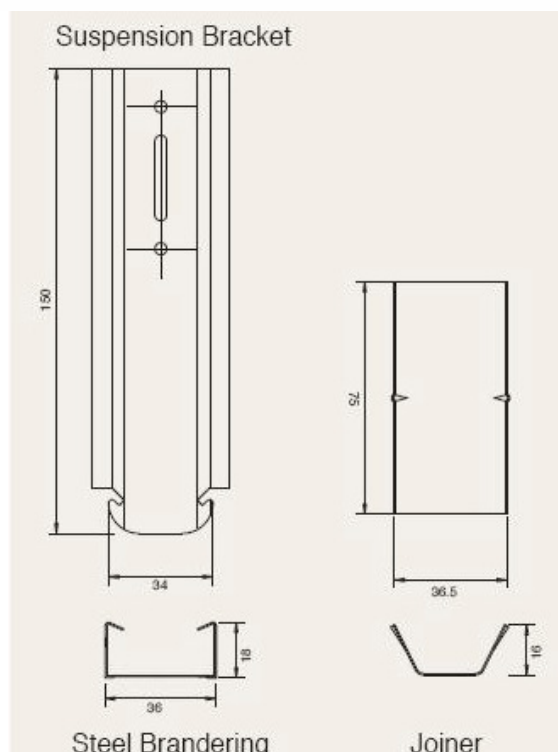
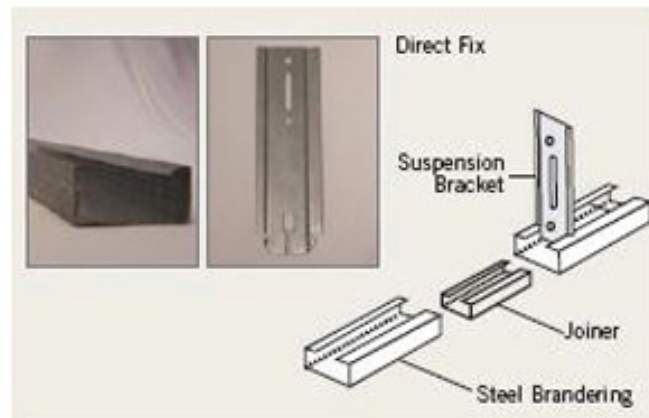
Perimeter Trims



Steel Branderling and Junction

Junctions for Steel Branderling

T-Junction
L-Junction
Cross-Junction



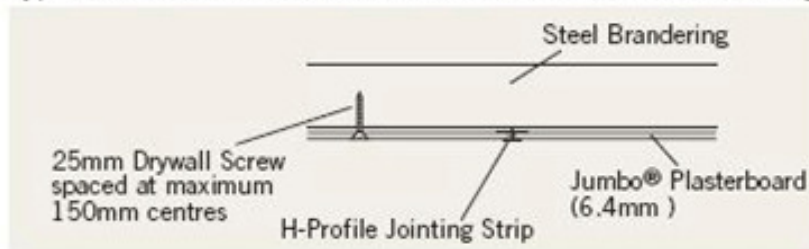
Lafarge Steel Brandering

Product Code	Description	Product Length
GLBR	Steel Brandering	2400mm / 2700mm 3000mm / 3600mm 4200mm
GLJR	Joiner	75mm
GLSB	Suspension Bracket	150mm

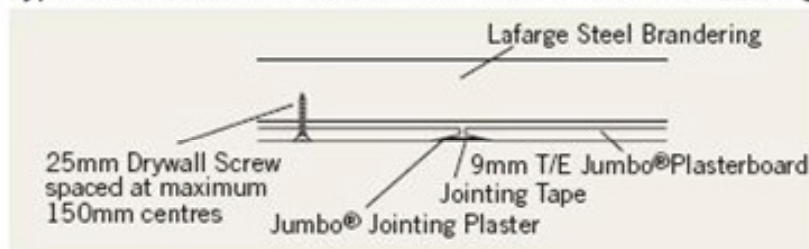
Steel Brandering Centres

Type of ceiling	Brandering Centres	Jumbo Board Fixing
6,4mm Jumbo Board H Jointing Strip Tape and Jointed	400mm centres in one direction only.	25mm Drywall Screws spaced at 150mm centres.
9mm Jumbo Board H Jointing Strip Tape and Jointed	500mm centres in one direction only.	25mm Drywall Screws spaced at 150mm centres.
9mm Jumbo Board Plastered Ceilings	400mm centres in one direction only.	25mm Drywall Screws spaced at 150mm centres.

Typical Joint Detail for 6,4mm Jumbo® Plasterboard Ceiling



Typical Joint Detail for 9mm T/E Jumbo® Plasterboard Ceiling



Lafarge Perimeter Trims

Description	Size	Code	Code	Length	Units per box	Mass kg per box
Standard wall angle	19x25	White GPT WA	Black GPT WA	3600	20	14,47
Shadow line wall angle	25x19x15 x15	White GPT SWA	Black GPT SWA	3600	20	18,80
Shadow line plaster trim	22x45x15	White GPT PTS	Black GPT PTS	3000	30	37,98
Aluminium Shadow line plaster trim	22x45x15	Natural Anodised	Powder Coated	3000	20	25,0
Aluminium Suspended/ Flush Plaster Ceiling Junction	47.2x28.0	Natural Anodised	Powder Coated	3000	20	30,0
Wall angle flexible	19x25	White WAF		2400	5	4,0

